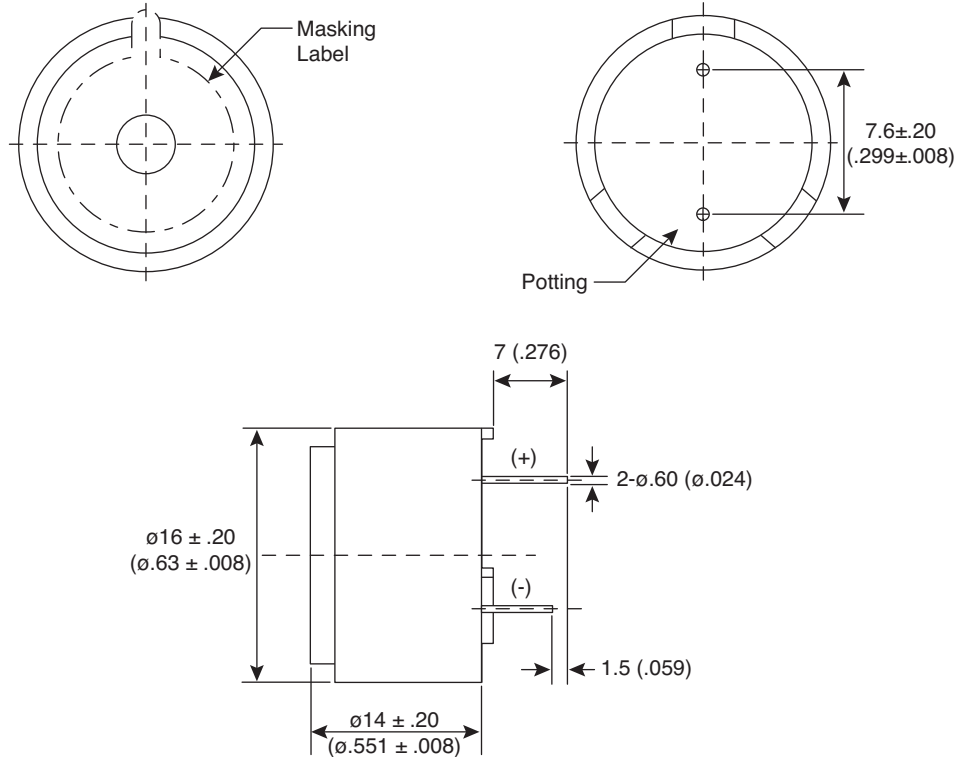


Part Number:

254-EMB16-RO

Magnetic Buzzer Indicator



KT-400460

Electrical Specifications:

- Rated Voltage: 6 VDC
- Operating Voltage: 3~9 VDC
- Mean Current: 30 mA (max.)
- Direct Current Resistance: None
- Sound Output: 85 dBA (min.)
- Basic Frequency: 2200±300Hz

Mechanical Specifications:

- Operating Temperature: -20°C~+70°C
- Storage Temperature: -30°C~+80°C

Note:

- RoHS Compliant