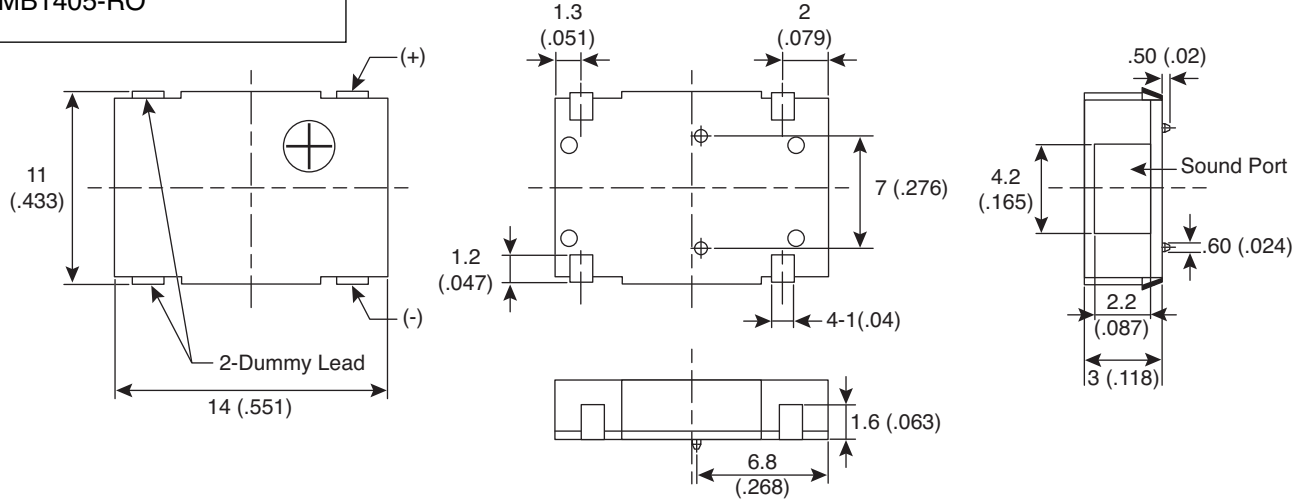
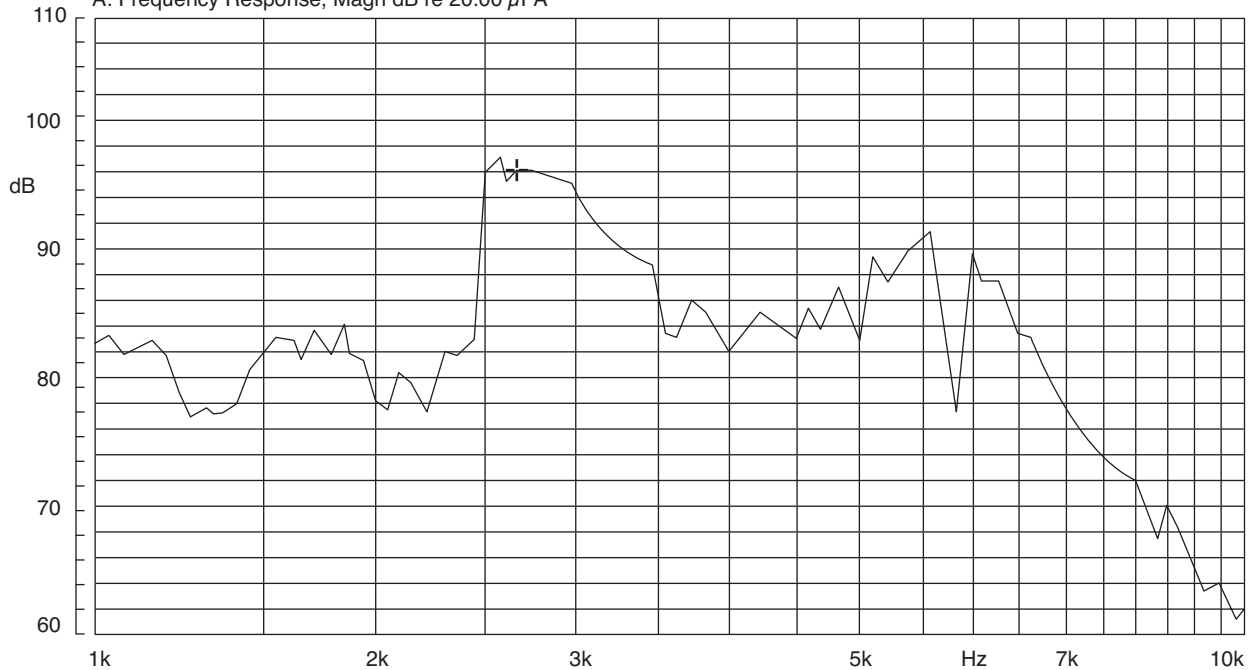


Part Number:

254-EMB1405-RO



A: Frequency Response, Magn dB re 20.00 μ PA



Magnetic Buzzer

KT-400447

Electrical Specifications:

- Rated Voltage: 5.0 Vo-p
- Operating Voltage: 3.0~6.0 Vo-p
- Consumption Current:
 - Mean: 80mA (max.)
 - Peak: 240mA (max.)
- Sound Output: 87 dBA (min.)
- Resonant Frequency: 2730Hz
- Coil Resistance: 43 Ω \pm 3

Mechanical Specifications:

- Operating Temperature: -30°C~+75°C
- Storage Temperature: -40°C~+85°C

Note:

- RoHS Compliant