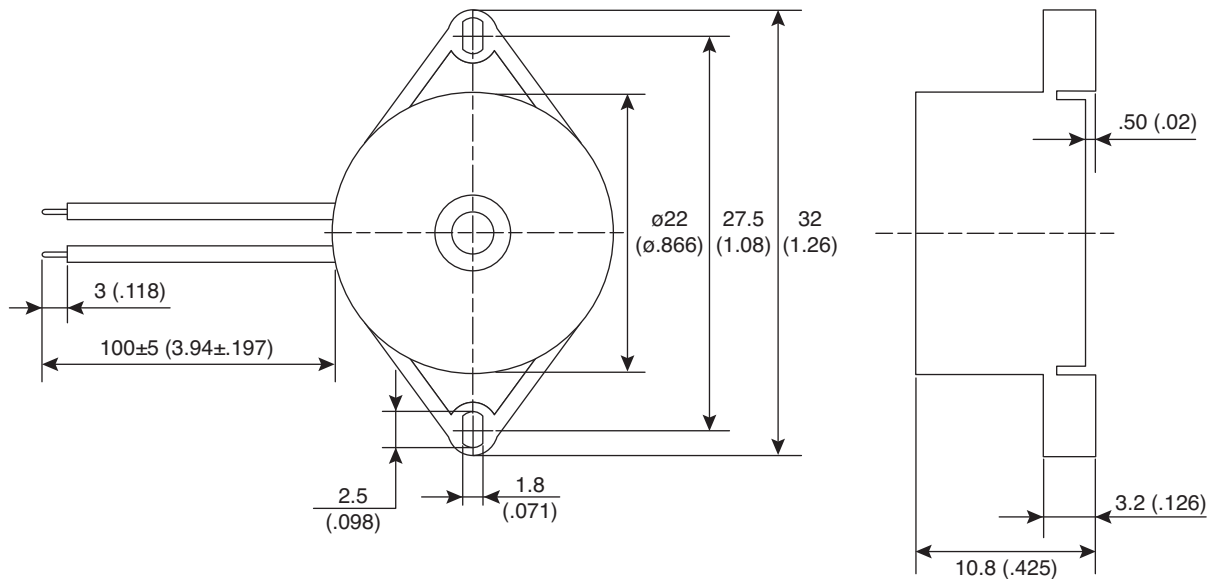


Part Number:

254-PB225-ROX



Piezoelectric Buzzer

KT-400477

Electrical Specifications:

- Rated Voltage: 12 VDC
- Operating Voltage: 3~28 VDC
- Rated Current (max.): 7mA
- Min. Sound Output: 85dBA
- Resonant Frequency: 4500Hz ± 500

Mechanical Specifications:

- Operating Temperature: -20°C ~ +60°C
- Storage Temperature: -30°C ~ +70°C

Note:

- RoHS Compliant by Exemption