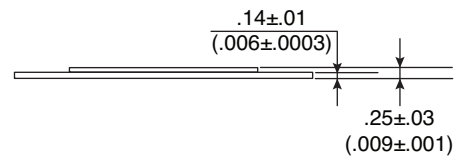
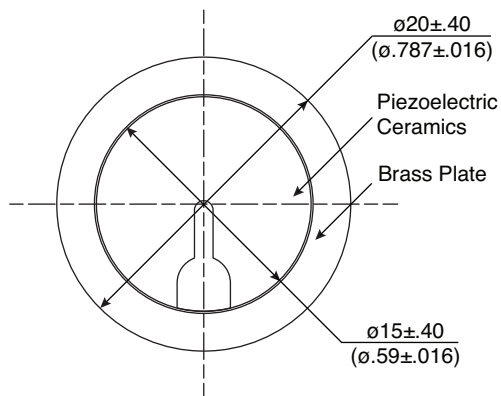


Part Number:

254-PB204-ROX

Piezoelectric Buzzer Element



KT-400452

**Electrical Specifications:**

- Resonant Frequency: 4.4K Hz  $\pm$  0.5
- Resonant Impedance: 300 $\Omega$  (max.)
- Capacity: 20,000pf  $\pm$  30%
- Input Voltage: 30 Vp-p (max.)

**Note:**

- RoHS Compliant by exemption

**Mechanical Specifications:**

- Type: External drive
- Operating Temperature: -20°C ~ +60°C
- Storage Temperature: -20°C ~ +70°C