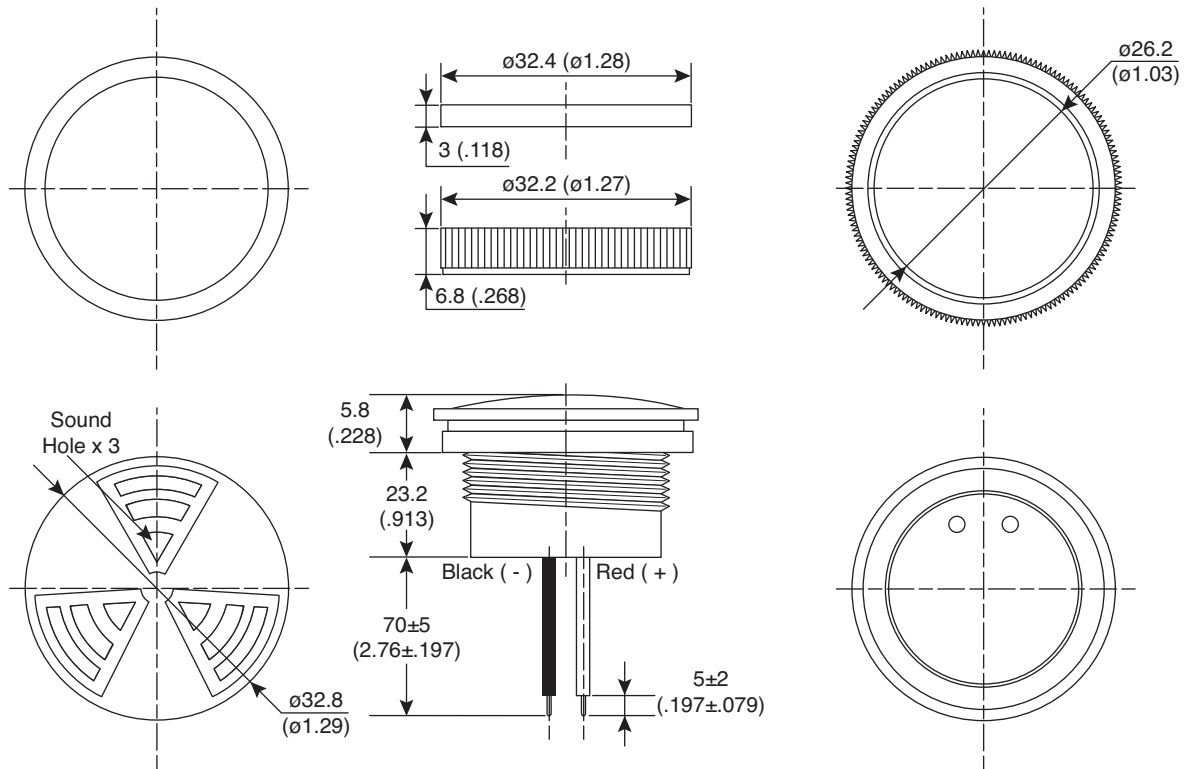


Part Number:

254-PB339-ROX

Piezoelectric Buzzer



KT-400476

Electrical Specifications:

- Rated Voltage: 10 VDC
- Operating Voltage: 3~25 VDC
- Rated Current: 25mA (max.)
- Sound Output: 100dBA (min.)
- Resonant Frequency: 2900Hz \pm 500

Mechanical Specifications:

- Operating Temperature: -30°C ~ +75°C
- Storage Temperature: -40°C ~ +85°C

Note:

- RoHS Compliant by Exemption