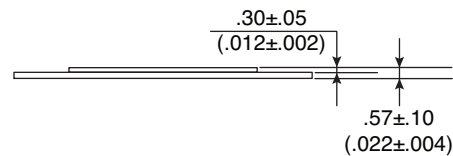
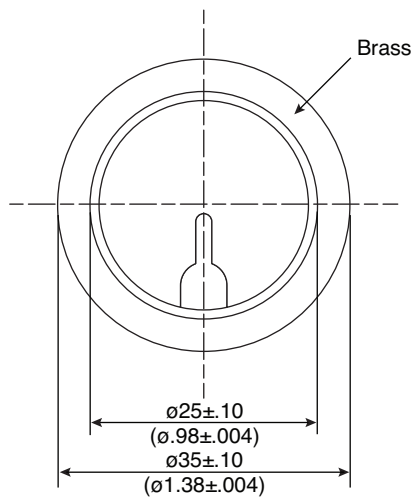


Part Number:

254-PB359-ROX

Piezoelectric Buzzer Element



KT-400454

Electrical Specifications:

- Resonant Frequency: 2.9K Hz \pm 0.5
- Resonant Impedance: 200 Ω (max.)
- Capacity: 28,000pf \pm 30%

Note:

- RoHS Compliant by exemption

Mechanical Specifications:

- Type: External drive
- Operating Temperature: -20°C ~ +60°C
- Storage Temperature: -20°C ~ +70°C