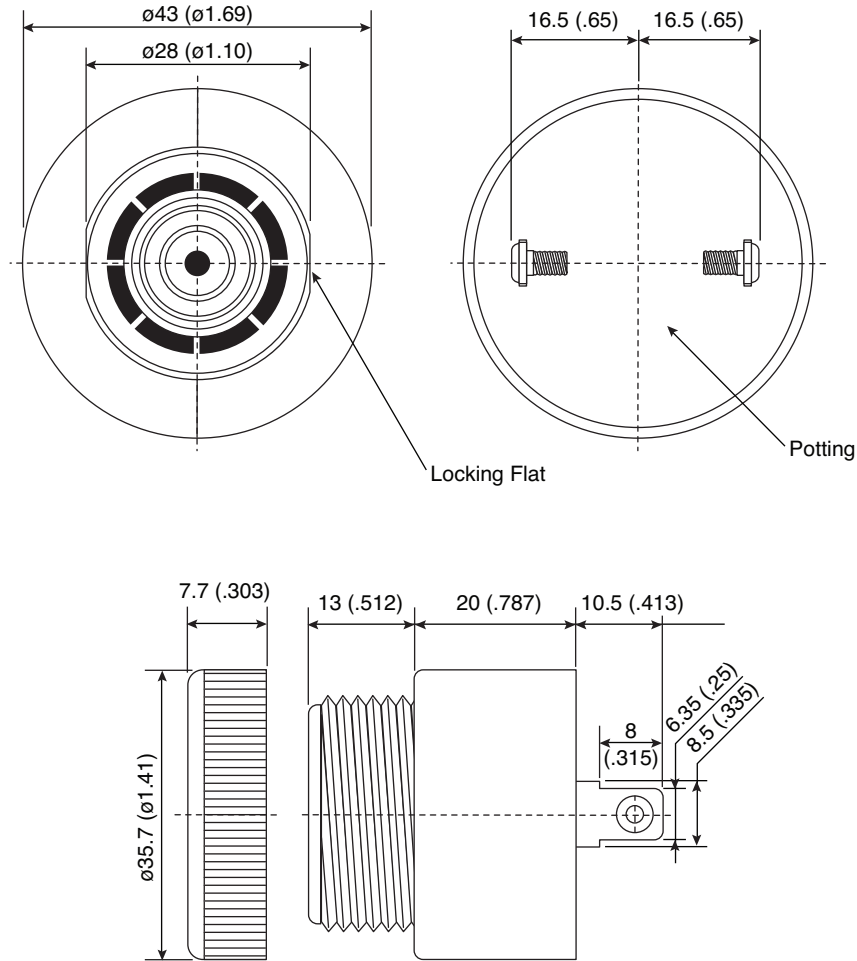


**Part Number:**

254-PB4229S-ROX

**Piezoelectric Buzzer**



KT-400371

**Electrical Specifications:**

- Rated Voltage: 110 DC/AC
- Operating Voltage: 30~120 DC/AC
- Rated Current: 18 mA(max)
- Sound Output: 83 dBA(min)
- Resonant Frequency: 2900Hz  $\pm$  500

**Mechanical Specifications:**

- Operating Temperature: -20°C ~ +60°C
- Storage Temperature: -30°C ~ +70°C

**Note:**

- RoHS Compliant by Exemption