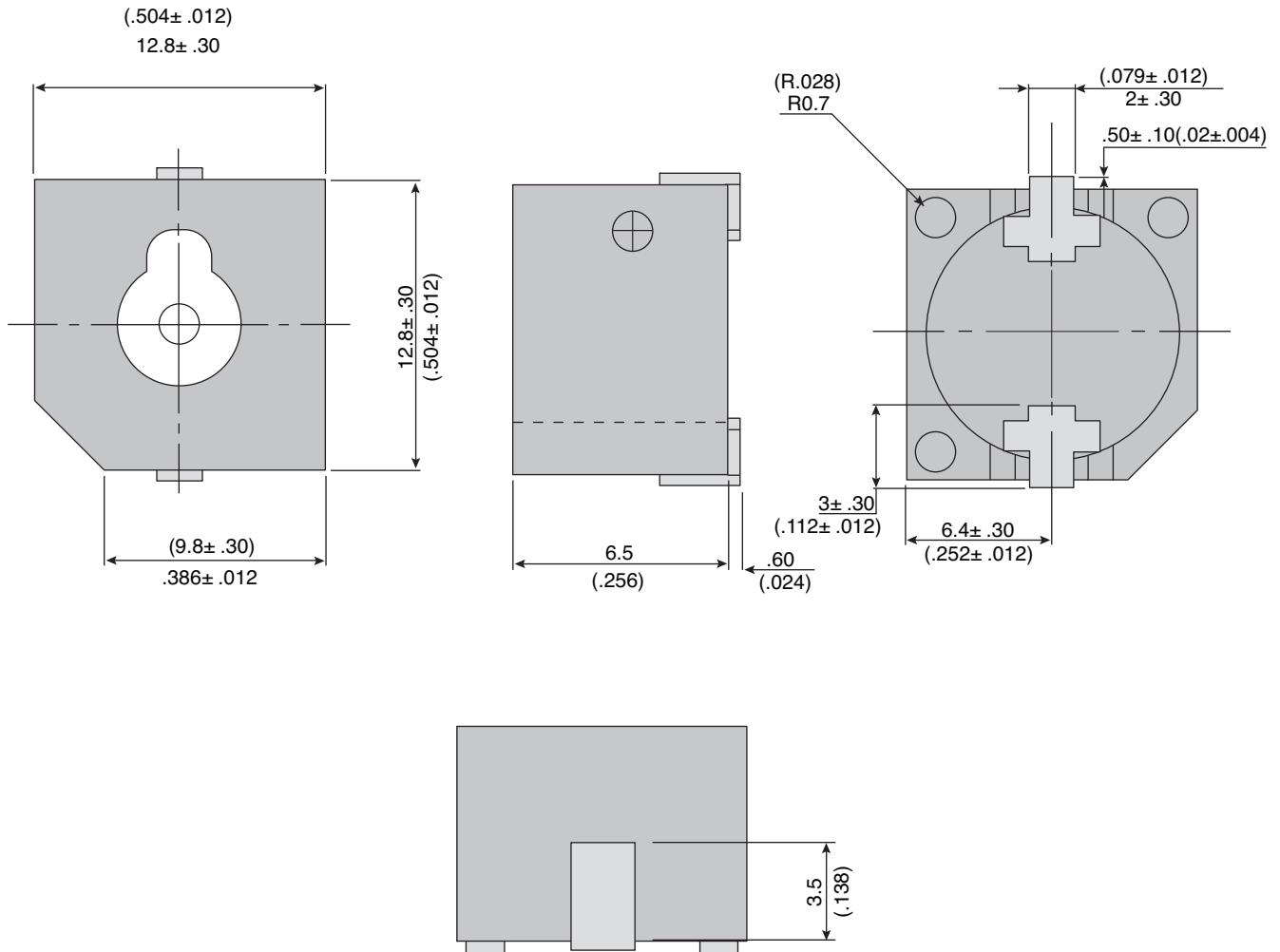


Part Number:

254-EMB135-RO

Magnetic Buzzer



KT-400391

Electrical Specifications:

- Rated Voltage: 5VDC
- Operating Voltage: 4-7VDC
- Rated Current: 30 mA(Max)
- Sound Output: 88 dBA(Min)
- Rated Frequency: 2400±400

Mechanical Specifications:

- Operating Temperature: - 20°C ~ +70°C
- Storage Temperature: - 30°C ~ +80°C

Note:

- RoHS Compliant