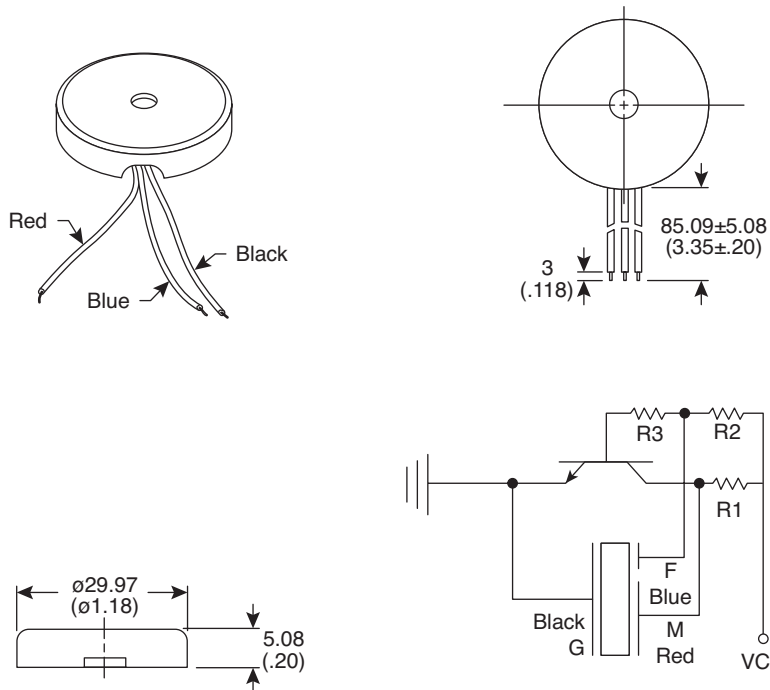


**Part Number:**

254-27346-ROX

Piezoelectric Buzzer (Self Drive)



R1=561Ω  
R2=154Ω  
R3=562Ω  
Transistor: 2SC2458Y

Recommended Circuit

KT-400263

**Mechanical Specifications:**

- Operating temperature: -20°~+105°C

**Electrical Specifications:**

- Voltage: 3~30VDC max.
- Current: 6mA @ 9Vp-p, 6VDC
- Resonant frequency: 4.4±.5KHz
- Sound pressure: 85dB min. @ 9VDC, 30cm

**Materials:**

- Weight: 4.5g
- Body: ABS, UL94HB
- Lead wire: UL1571, 32AWG
- RoHS Compliant by Exemption