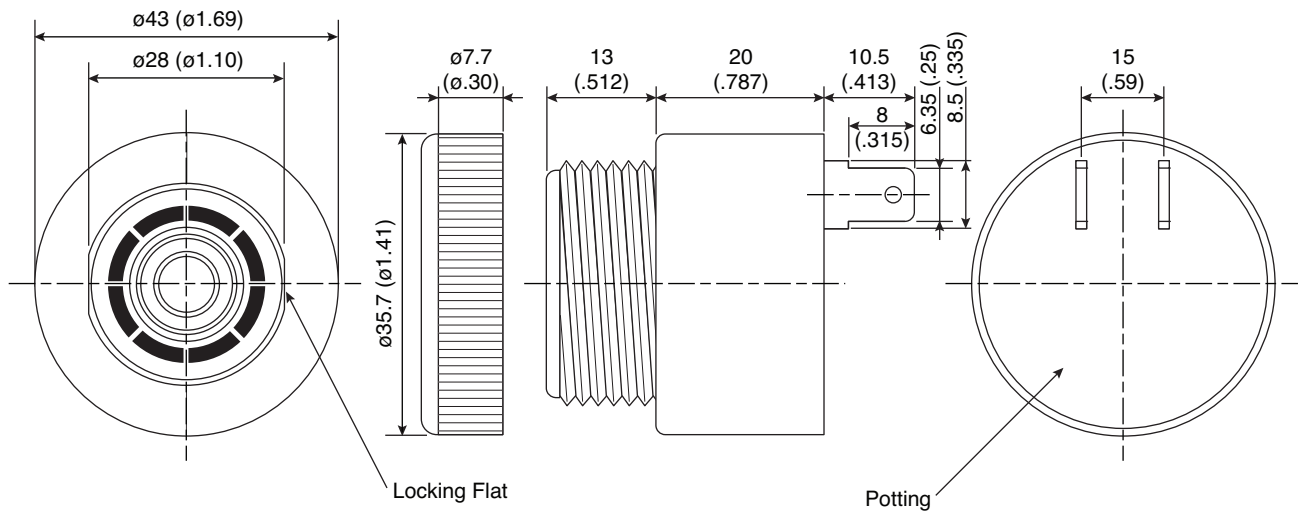


Part Number:

254-PB4229D-ROX

Piezoelectric Buzzer



KT-400367

Electrical Specifications:

- Rated Voltage: 12VDC
- Operating Voltage: 4~28VDC
- Rated Current: 8mA(max)
- Sound Output at 60cm: 85dBA(min)
- Resonant Frequency: 2900Hz \pm 500

Mechanical Specifications:

- Operating Temperature: -20°C ~ +60°C
- Storage Temperature: -30°C ~ +70°C

Note:

- RoHS Compliant by Exemption