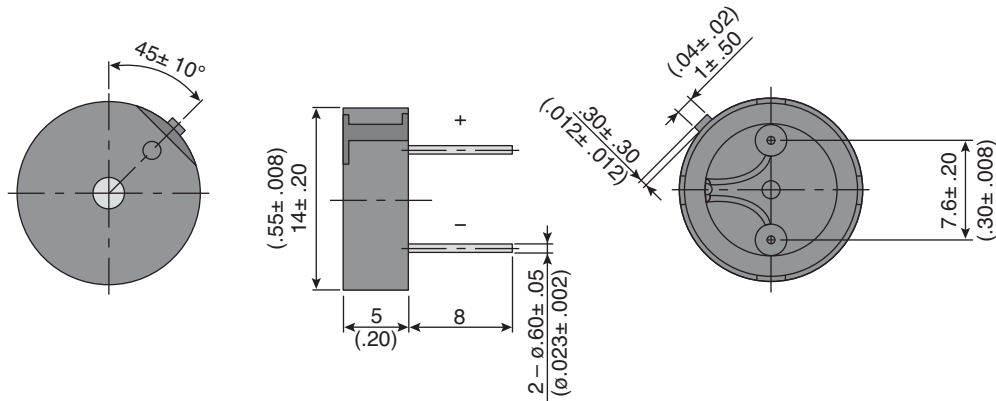


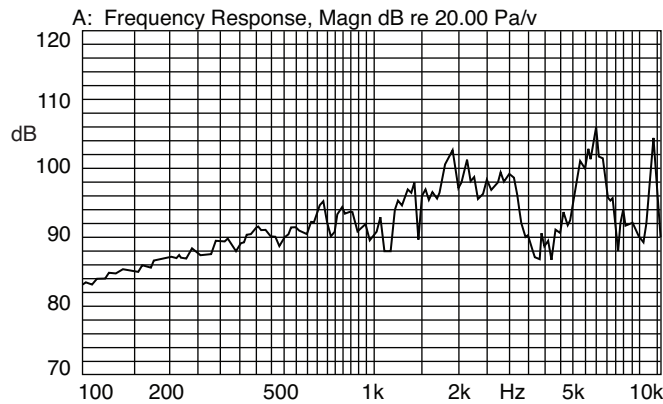
Part Number:

254-EMB145-RO



Magnetic Buzzer

Frequency Response Curve:



KT-400392

Electrical Specifications:

- Rated Voltage: 5.0Vo-p
- Operating Voltage: 4 ~ 6 Vo-p
- Consumption Current: Mean 50mA(Max) Peak 150mA(Max)
- Direct Current Resistance: 40Ω± 6
- Sound Output: 85dBA(Min)
- Rated Frequency: 2000Hz

Mechanical Specifications:

- Operating Temperature: -20°C ~ +70°C
- Storage Temperature: -30°C ~ +80°C

Note:

- RoHS Compliant