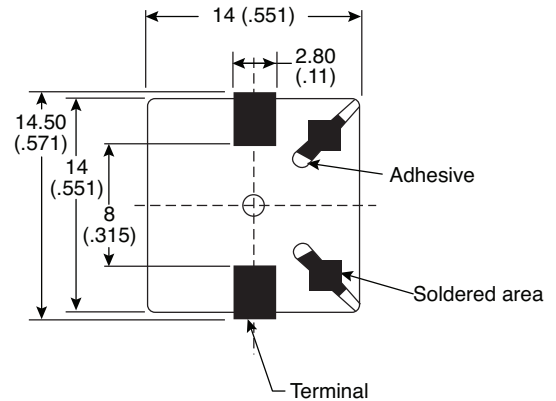
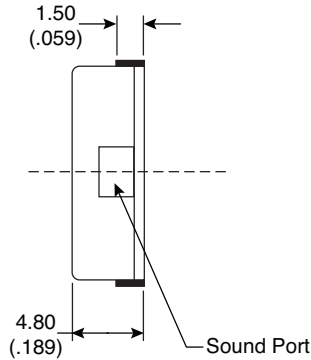
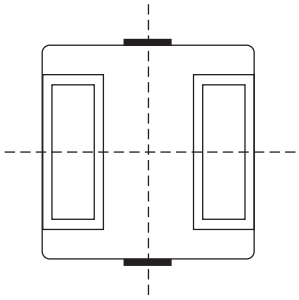
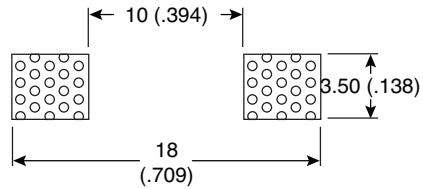
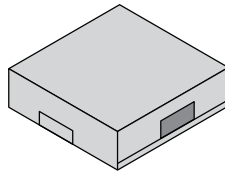
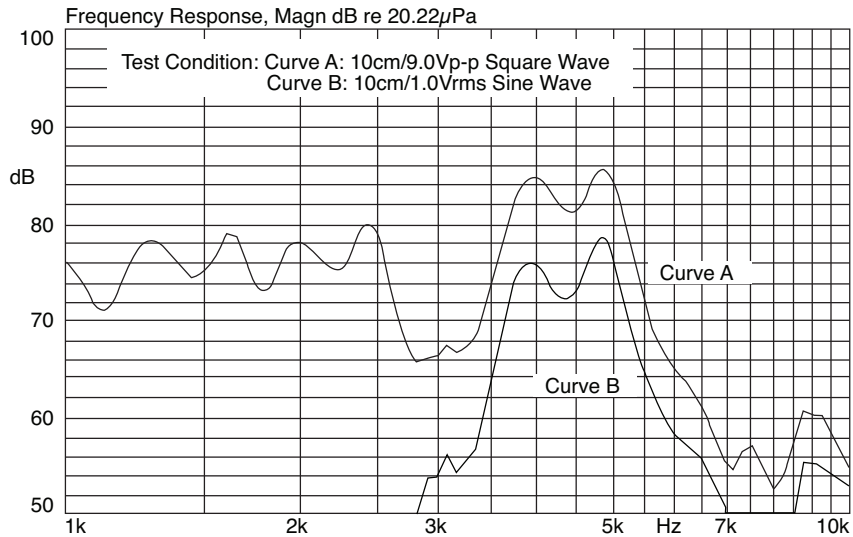


Part Number:

254-PB502-ROX



Piezoelectric Buzzer
(External Drive)



KT-400404

Electrical Specifications:

- Sound Pressure Level: 80dB min. at 4.0KHz/9Vp-p Square Wave/10cm
70dB min. at 4.0KHz/1Vrms Sine Wave/10cm
- Capacitance: 12,000pF \pm 30% at 120Hz
- Current Consumption: 3mA max. at 4.0KHz/9Vp-p Square Wave
- Allowable Input Voltage: 15Vp-p max.

Mechanical Specifications:

- Operating Temperature Range: -20°C to +70°C
- Storage Temperature Range: -40°C to +85°C

Materials:

- Case: HTN (UL 94V-0)
- Lead Pin: Phosphor Bronze
(Plating of gold)
- Weight: 1.1 gms

Note:

- RoHS compliant by exemption