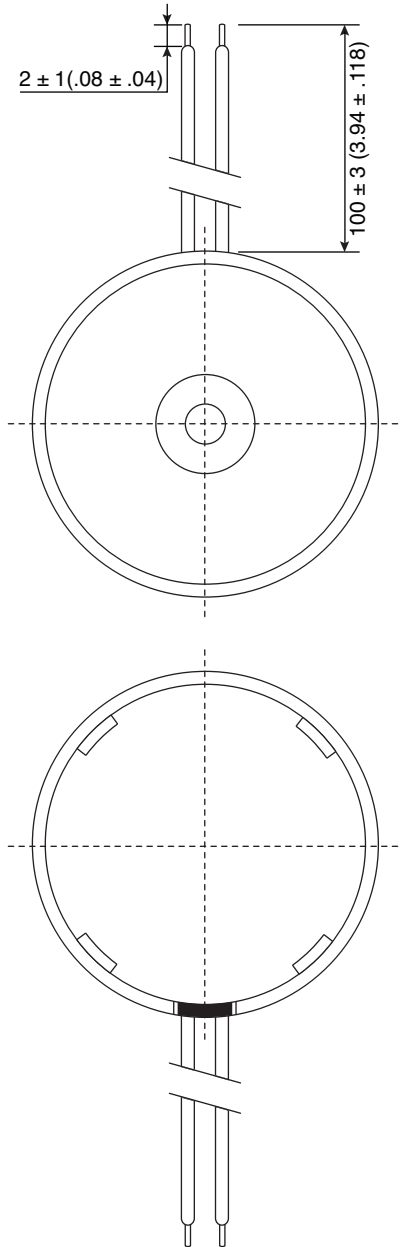
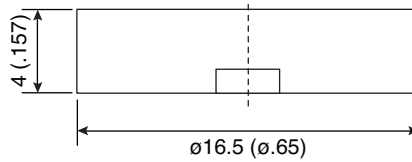


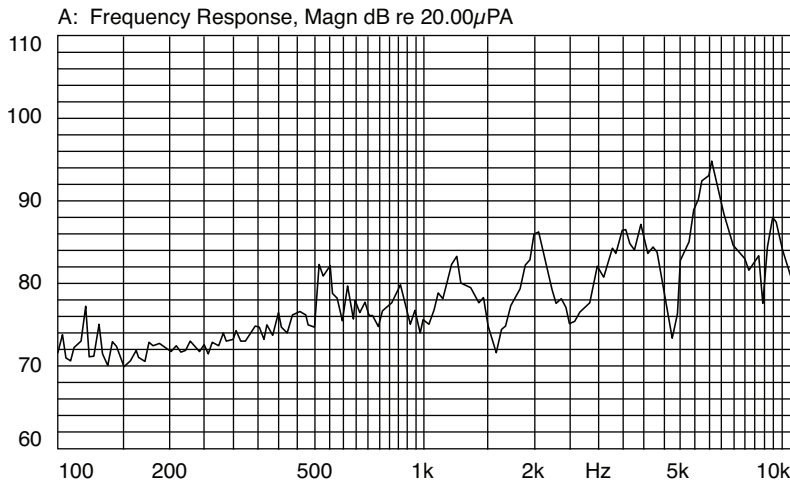
Part Number:

254-PB160-ROX

Dimensions: mm (in.)



Piezoelectric Buzzer



KT-400363

Electrical Specifications:

- Rated Voltage: 9 Vp-p
- Operating Voltage: 3~30 Vp-p
- Rated Current: 7mA(max)
- Sound Output At 10cm: 80dBa(min)
- Resonant Frequency: 4000Hz ± 500Hz
- Capacitance: 15000pF ± 30%

Mechanical Specifications:

- Operating Temperature: -20°C to + 70°C
- Storage Temperature: -30°C to + 80°C

Note:

- RoHS Compliant By Exemption