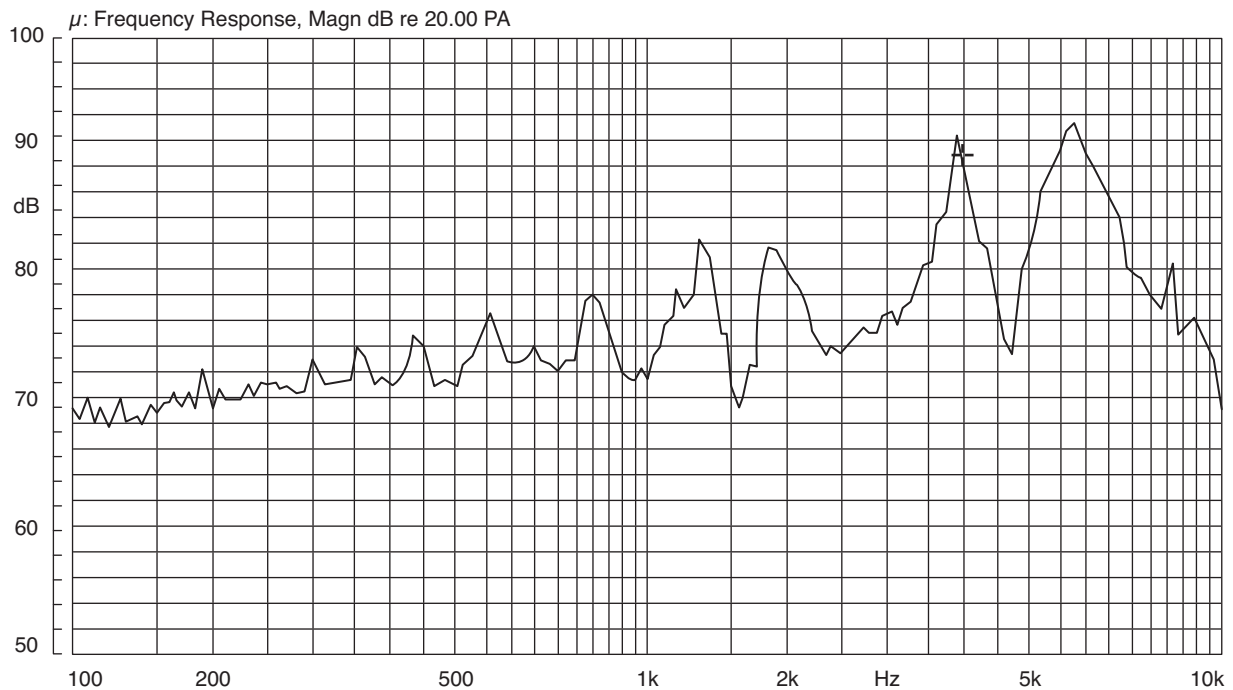
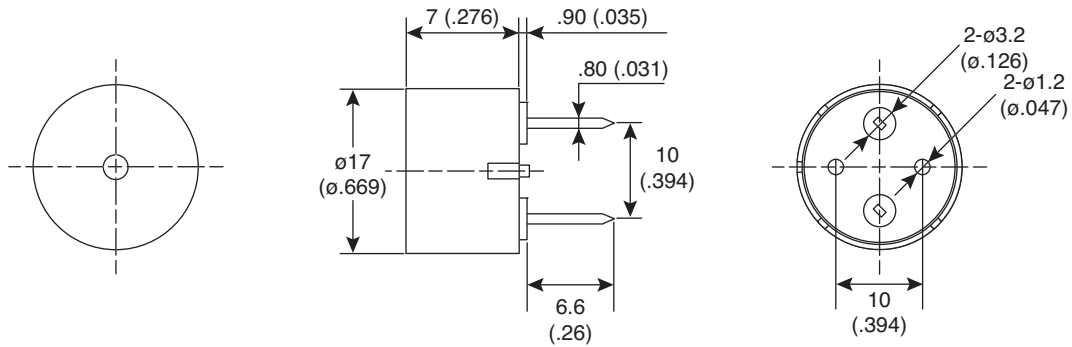


Part Number:

254-PB174-ROX



Piezoelectric Buzzer

KT-400481

Electrical Specifications:

- Rated Voltage: 10 Vp-p
- Operating Voltage: 5~30 Vp-p
- Rated Current: 9mA (max.)
- Sound Output at 10cm: 85dBA (min.)
- Resonant Frequency: 4000Hz
- Capacitance: 10000pf \pm 30%

Mechanical Specifications:

- Operating Temperature: -40°C ~ +70°C
- Storage Temperature: -50°C ~ +80°C

Note:

- RoHS Compliant by Exemption