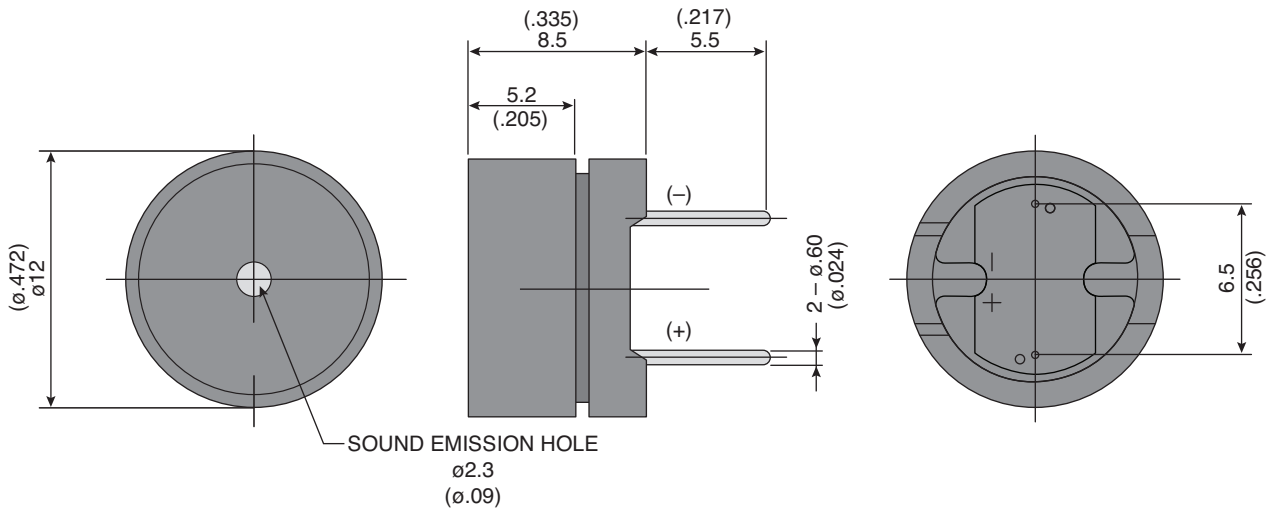
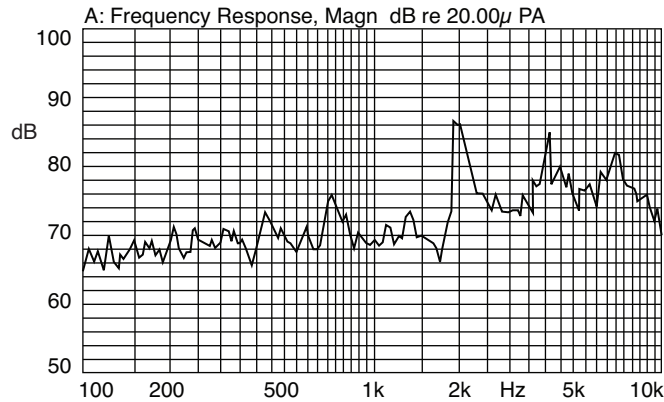


Part Number:

254-EMB121-RO



Frequency Response Curve:



Magnetic Buzzer

KT-400388

Electrical Specifications:

- Rated Voltage: 1.5Vo-p
- Operating Voltage: 1.0 ~ 2.0Vo-p
- Consumption Current: Mean 35mA(Max) Peak 105mA(Min)
- Direct Current Resistance: $16\Omega \pm 2.4$
- Sound Output: 85dBA(Min)
- Rated Frequency: 2048Hz

Mechanical Specifications:

- Operating Temperature: $-30^{\circ}\text{C} \sim +70^{\circ}\text{C}$
- Storage Temperature: $-40^{\circ}\text{C} \sim +85^{\circ}\text{C}$

Note:

- RoHS Compliant