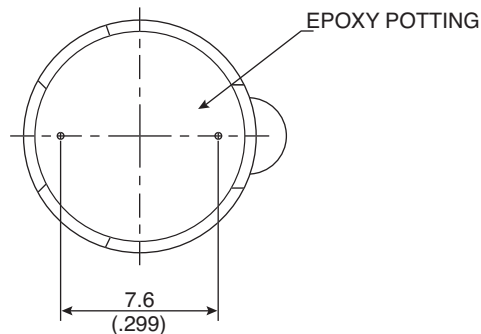
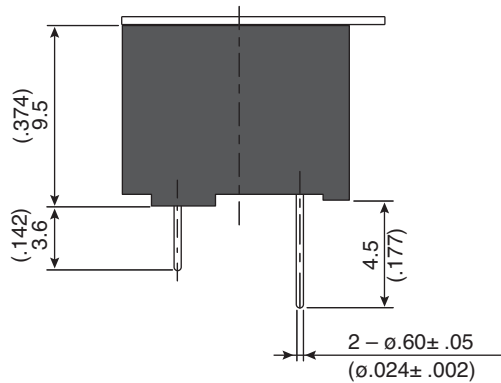
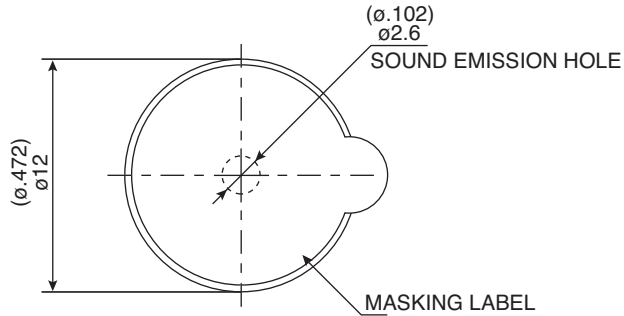


**Part Number:**

254-EMB125-RO

Magnetic Buzzer



KT-400395

**Electrical Specifications:**

- Rated Voltage: 5VDC
- Operating Voltage: 4 ~ 7VDC
- Consumption Current: Mean 35mA(Max) Peak 105mA(Min)
- Sound Output: 85dBA(Min)
- Basic Frequency: 2300Hz $\pm$  300

**Mechanical Specifications:**

- Operating Temperature: -30°C ~ +75°C
- Storage Temperature: -40°C ~ +85°C

**Note:**

- RoHS Compliant