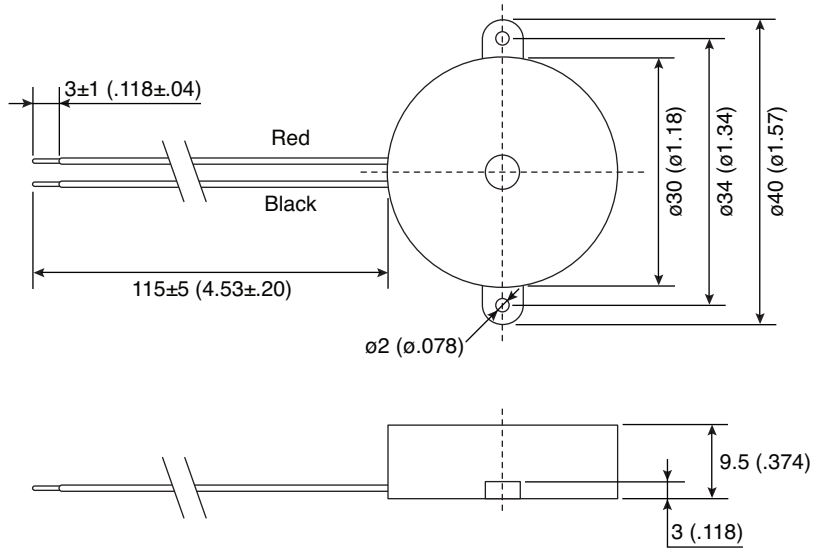


Part Number:

254-PB305-ROX

Piezoelectric Buzzer



KT-400421

Electrical Specifications:

- Rated Voltage: 10 Vp-p
- Operating Voltage: 3~30 Vp-p
- Rated Current: 9mA (max)
- Sound Output At 10cm: 86dBA
- Resonant Frequency: 2500Hz ± 500
- Capacitance at 1KHz: 25000pF ± 30%

Mechanical Specifications:

- Operating Temperature: -30°C to + 80°C
- Storage Temperature: -40°C to + 80°C

Note:

- RoHS Compliant by Exemption