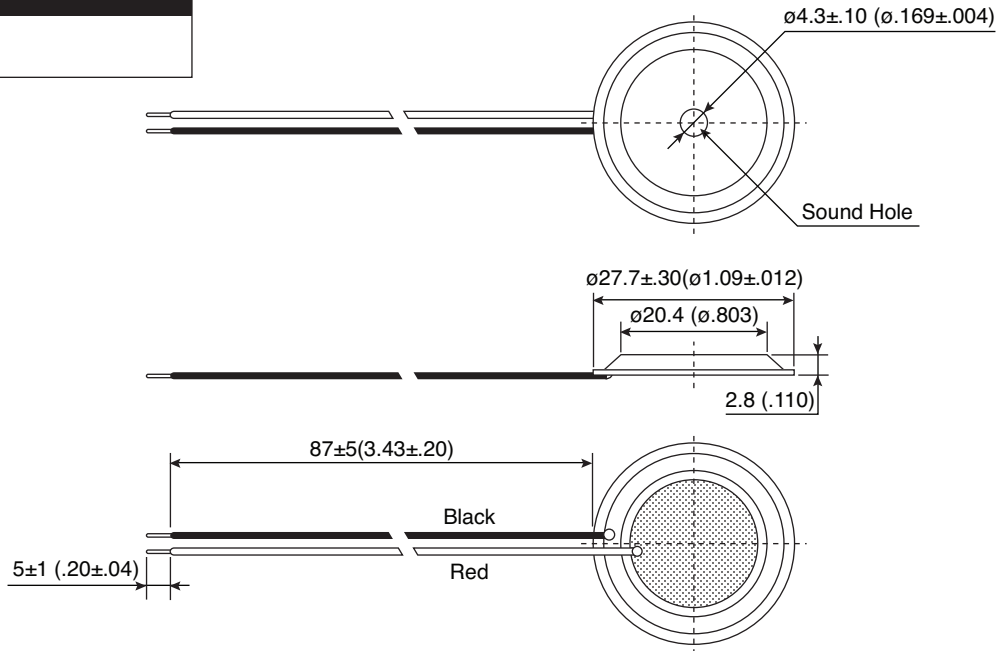
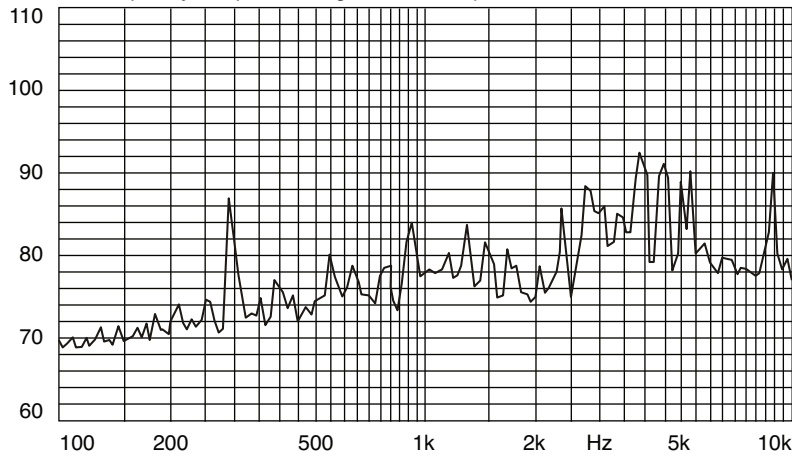


Part Number:

254-PB284-ROX



A: Frequency Response, Magn dB re 20.00 μ PA



KT-400369

Electrical Specifications:

- Rated Voltage: 6Vp-p
- Operating Voltage: 3~20Vp-p
- Rated Current: 8mA(max)
- Sound Output Level: 85dBA(min)
- Resonant Frequency: 4400Hz \pm 500
- Capacitance: 25000pF \pm 30%

Mechanical Specifications:

- Operating Temperature: -20°C ~ +60°C
- Storage Temperature: -30°C ~ +70°C

Note:

- RoHS Compliant by Exemption