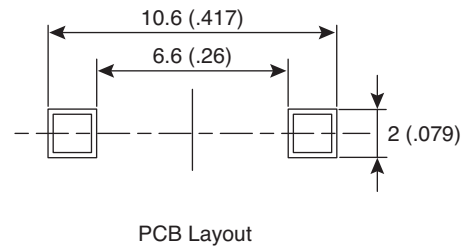
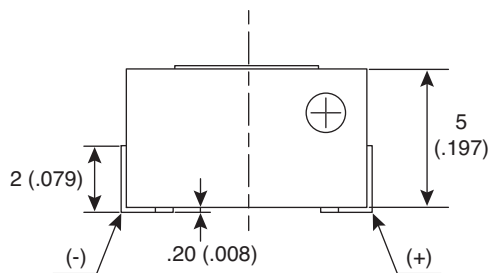
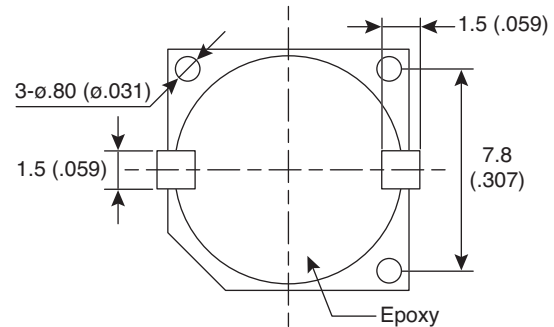
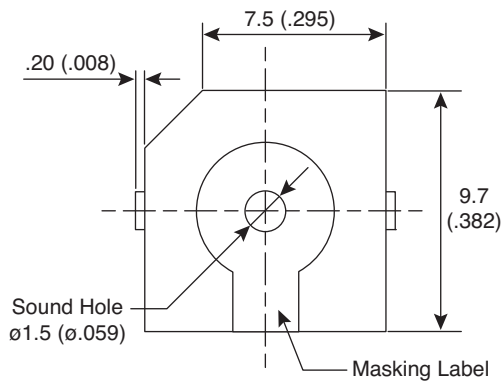


Part Number:

254-EMB1051-RO

Magnetic Buzzer Indicator



KT-400459

Electrical Specifications:

- Rated Voltage: 5 VDC
- Operating Voltage: 3~8 VDC
- Consumption Current:
 - Mean: 30mA
 - Peak: 90mA (max.)
- Direct Current Resistance: None
- Sound Output: 80 dBA (min.)
- Basic Frequency: 2700±200Hz

Mechanical Specifications:

- Operating Temperature: -30°C~+75°C
- Storage Temperature: -40°C~+85°C

Note:

- RoHS Compliant