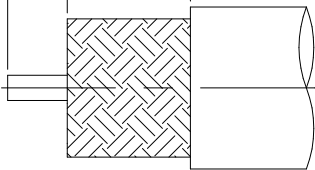
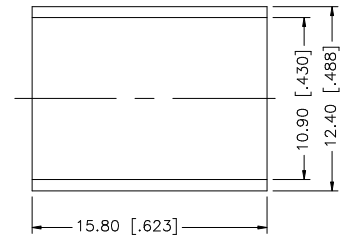
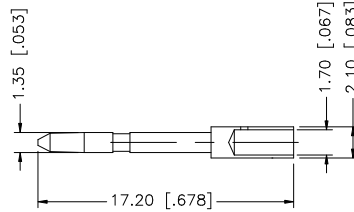
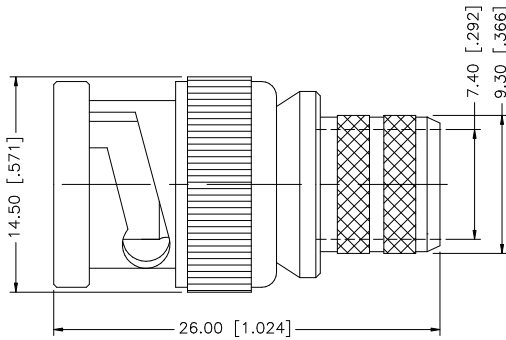


REV.	DATE	DESCRIPTION
NC	05/24/05	INITIAL RELEASE
A	10/01/06	UPDATE DRAWING FORMAT

4.00 [.158] 8.30 [.327]



RECOMMENDED
CABLE STRIPPING DIM'S



8				<small>UNLESS OTHERWISE SPECIFIED DIMENSIONS ARE IN MILLIMETERS. DIMENSIONS IN [] ARE IN INCHES AND FOR CUSTOMER REFERENCE ONLY.</small> <small>UNLESS OTHERWISE SPECIFIED TOLERANCES FOR MILLIMETERS ARE:</small> 0.5 - 8mm ± 0.20mm 8 - 30mm ± 0.40mm 30 - 120mm ± 0.50mm <small>UNLESS OTHERWISE SPECIFIED TOLERANCES FOR INCHES ARE:</small> .020 - .315 = ± 0.007" .315 - 1.180 = ± 0.015" 1.180 - 4.724 = ± 0.020"	APPROVALS	DATE	<h1 style="color: blue;">Amphenol Connex</h1>								
7			DRAWN		G.R.S.	10/02/06		PART DESCRIPTION BNC CRIMP PLUG - RG11/U 14-AWG CONTACT (FOR BELDEN 9292, 8213 CABLE - 75ohm)							
6			CHECKED												
5			ISSUED												
4	FERRULE	COPPER	NICKEL		1				PART NO.	112606					
3	CONTACT PIN	BRASS	GOLD	1											
2	INSULATOR	TEFLON	NATURAL	1											
1	BODY	BRASS	NICKEL	1											
	DESCRIPTION	MATERIAL	FINISH	QTY	DO NOT SCALE DRAWING	CAD FILE	C:/112/112606.DWG	DWG. NO.	112606.DWG	REV.	A	SIZE	A	SCALE	NA