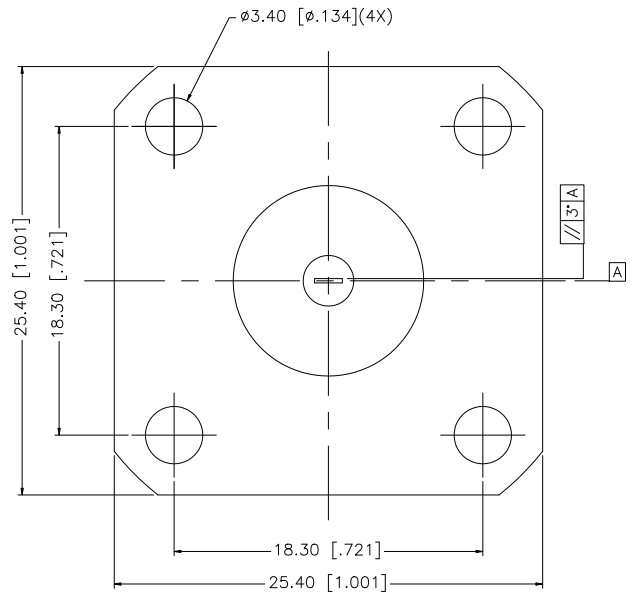
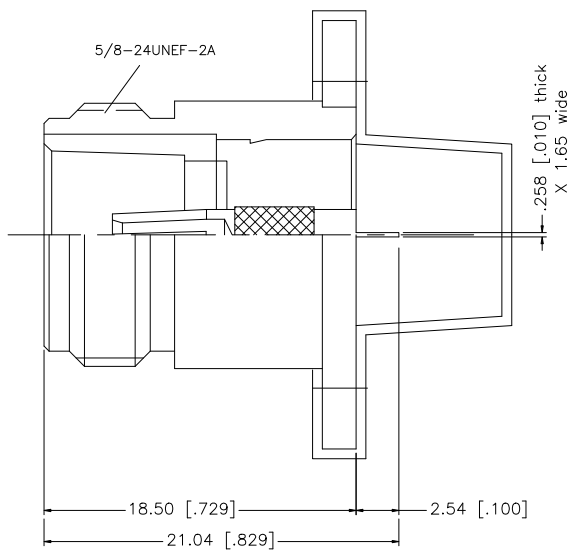


REV.	DATE	DESCRIPTION
A	02/21/00	REVISE BODY PLATING
B	06/01/04	UPDATE DRAWING FORMAT
C	12/17/07	REVISE BODY LENGTH AND MOUNTING HOLES



				UNLESS OTHERWISE SPECIFIED DIMENSIONS ARE IN MILLIMETERS; DIMENSIONS IN [] ARE IN INCHES AND FOR CUSTOMER REFERENCE ONLY.	APPROVALS	DATE	Amphenol Connex			
8					DRAWN	G.R.S.				12/17/07
7					CHECKED			PART NO. 172195		
6					ISSUED					
5					SHEET	1 OF 1		REV. C	SIZE A	SCALE NA
4	COVER	PE	NATURAL	1	CAD FILE C:/172/172195.DWG					
3	CONTACT PIN	PHOS. BRONZE	GOLD	1	UNLESS OTHERWISE SPECIFIED TOLERANCES FOR MILLIMETERS ARE: 0.5 - 8mm ± 0.20mm 8 - 30mm ± 0.40mm 30 - 120mm ± 0.50mm UNLESS OTHERWISE SPECIFIED TOLERANCES FOR INCHES ARE: .020 - .315 = ± 0.007" .315 - 1.180 = ± 0.015" 1.180 - 4.724 = ± 0.020" DO NOT SCALE DRAWING					
2	INSULATOR	TEFLON	NATURAL	1						
1	HOUSING W/ PANEL	BRASS	NEXCOTE	1						
	DESCRIPTION	MATERIAL	FINISH	QTY						