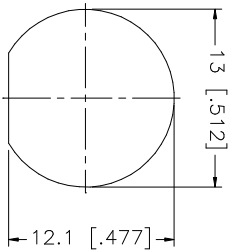
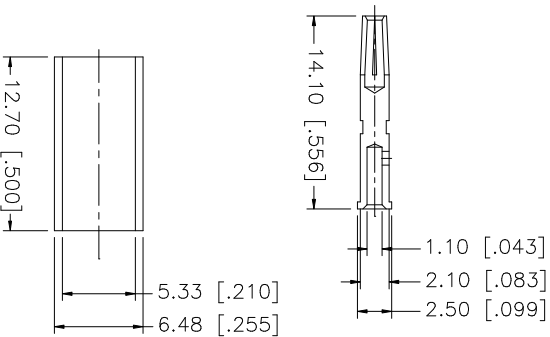
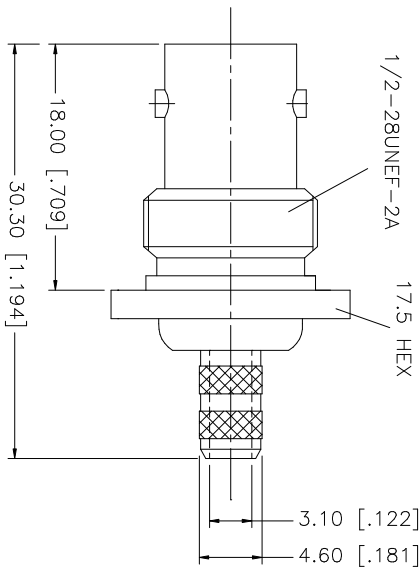
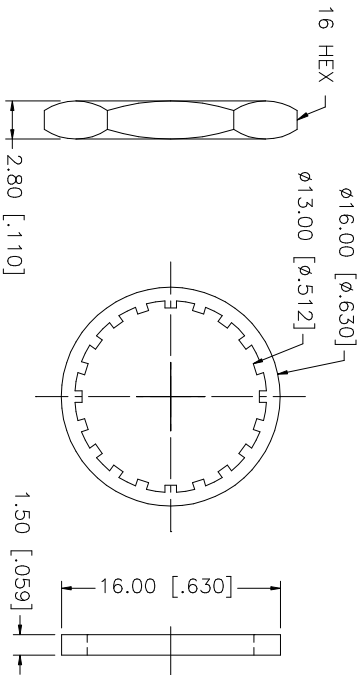
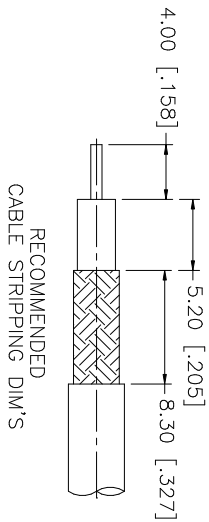


REV.	DATE	DESCRIPTION
NC	07/31/05	INITIAL RELEASE
A	11/02/05	ADD 141/U CABLE TO DESCRIPTION



RECOMMENDED MOUNTING HOLE

- CRIMP NOTES:
1. CRIMPED FERRULE HEX CRIMP SIZE .213"
 2. CRIMPED CONTACT PIN HEX CRIMP SIZE .068"
 3. MAX. PANEL THICKNESS = 3.5mm

9																					
8	FERRULE	COPPER	NICKEL	1																	
7	HEX NUT	BRASS	NICKEL	1																	
6	LOCK WASHER	BRASS	NICKEL	1																	
5	GASKET	RUBBER	RED	1																	
4	CONTACT PIN	PHOS. BRONZE	GOLD	1																	
3	INSULATOR	TEFLON	NATURAL	1																	
2	BODY	BRASS	NICKEL	1																	
1	DESCRIPTION	MATERIAL	FINISH	QTY																	
UNLESS OTHERWISE SPECIFIED DIMENSIONS ARE IN INCHES AND FOR CUSTOMER REFERENCE ONLY.					UNLESS OTHERWISE SPECIFIED DIMENSIONS ARE IN MILLIMETERS FOR MILLIMETER MEASUREMENTS.					UNLESS OTHERWISE SPECIFIED DIMENSIONS ARE IN MILLIMETERS FOR MILLIMETER MEASUREMENTS.					UNLESS OTHERWISE SPECIFIED DIMENSIONS ARE IN INCHES AND FOR CUSTOMER REFERENCE ONLY.						
DO NOT SCALE DRAWING					CAD FILE					C:/112/112202.DWG					DWG. NO. 112202.DWG						
APPROVALS					DATE					PART DESCRIPTION					PART NO.						
DRAWN G.R.S.					11/02/05					BNC BULKHEAD CRIMP JACK (FOR RG58/U, 141/U CABLE)					112202						
CHECKED																					
ISSUED																					
SHEET 1 OF 1																					
DESCRIPTION					MATERIAL					FINISH					QTY						

Amphenol Connex

BNC BULKHEAD CRIMP JACK
(FOR RG58/U, 141/U CABLE)

112202

REV. A SIZE A SCALE NA