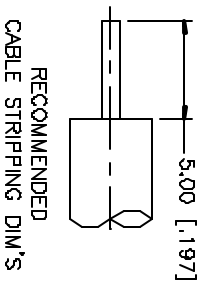
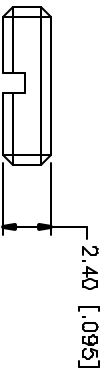
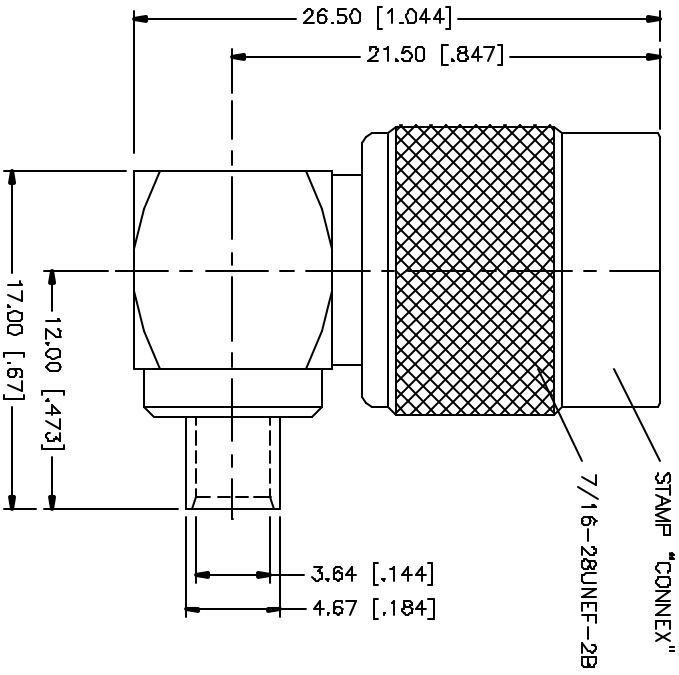


REV.	DATE	DESCRIPTION
A	11/26/03	UPDATE DRAWING FORMAT
B	03/18/04	ADD COUPLING NUT UNDER PART DESCRIPTION



QTY	FINISH	MATERIAL	DESCRIPTION
1	NICKEL	BRASS	COUPLING NUT
1	GOLD	BRASS	CONTACT PIN
1	NATURAL	TEFLON	INSULATOR
1	GOLD	BRASS	BODY

APPROVALS	DATE
DRAWN G.R.S.	03/18/04
CHECKED	
ISSUED	
BUILT	1 OF 1

DATE	DESCRIPTION
11/26/03	UPDATE DRAWING FORMAT
03/18/04	ADD COUPLING NUT UNDER PART DESCRIPTION

REV.	DATE	DESCRIPTION
A	11/26/03	UPDATE DRAWING FORMAT
B	03/18/04	ADD COUPLING NUT UNDER PART DESCRIPTION

Amphenol Connex

TNC R/A DIRECT SOLDER PLUG
(FOR .141" SEMI RIGID CABLE)

122422

DMC. NO. 122422.DWG REV. B SIZE A SCALE NA

CAD FILE C:/122/122422.DWG

PLEASE REFER TO PART DRAWING FOR
DIMENSIONS UNLESS SPECIFIED
IN THIS SECTION. DIMENSIONS IN [] ARE IN
INCHES AND FOR DIMENSIONED PARTS ONLY.
UNLESS OTHERWISE SPECIFIED
TOLERANCES FOR ALL DIMENSIONS ARE:
0.5 - Bore ± 0.20mm
5 - 30mm ± 0.40mm
30 - 120mm ± 0.50mm
UNLESS OTHERWISE SPECIFIED
TOLERANCES FOR HOLE ARE:
0.20 - .315 ± 0.007"
.315 - 1.180 ± 0.015"
1.180 - 4.724 ± 0.020"

QTY

FINISH

MATERIAL

DESCRIPTION

8
7
6
5
4
3
2
1