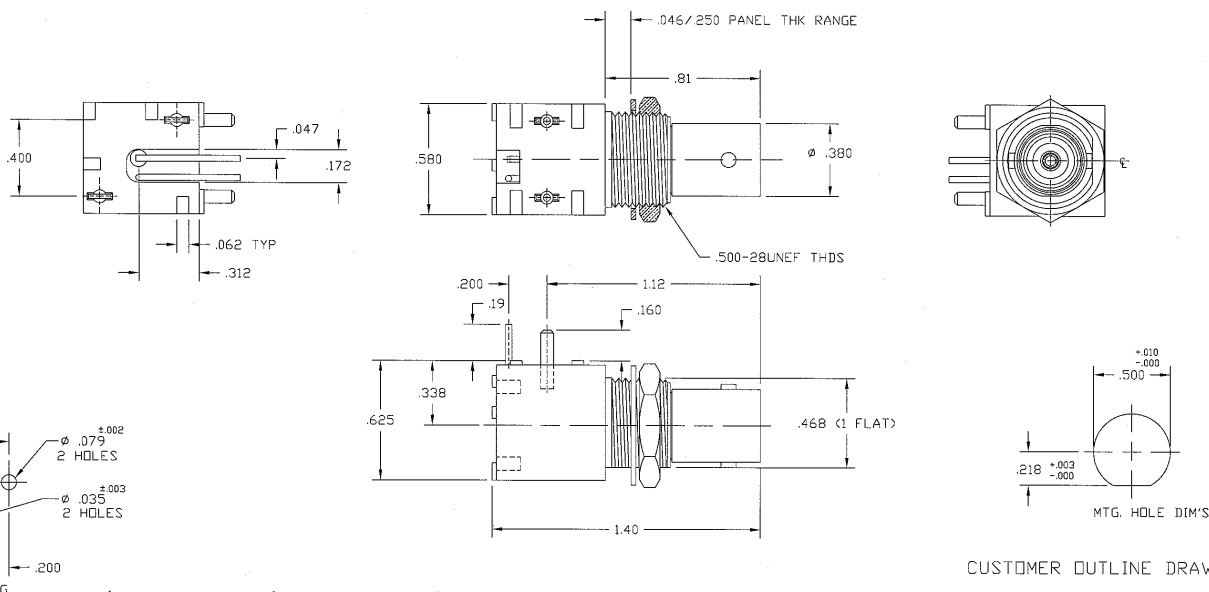


NOTES:

1. MATERIAL: OUTER INSULATOR CASING - WHITE VALOX
 INSULATOR - WHITE NORYL
 CENTER CONTACT - GOLD PLATED PHOSPHOR BRONZE
 BODY - NICKEL PLATED ZINC CASTING
 MOUNTING LEGS - TIN PLATED
 TERMINALS - TIN PLATED COPPER WIRE
 LOCKWASHER - NICKEL PLATED PHOSPHOR BRONZE
 HEX NUT - NICKEL PLATED BRASS
2. SUPPLIED NUT & LOCKWASHER TO BE TIGHTENED DOWN TO 10 IN LBS. MIN./ 15 IN LBS. MAX. WHEN ASSEMBLING TO PANEL.

31-5431-2010

DRAWING NO.		REVISIONS			
REV	DESCRIPTION	DATE	ECO	APPR	
A	OFFICIAL ENG. RELEASE TO MFG.	9/15/93	39644	DL/RV	
B	SEE SHEET 1 FOR REVISIONS	11/27/96	41683	CPM/	
C	SEE SHEET 1 FOR REVISIONS	2/3/05	45257	CPM/	



UNLESS OTHERWISE SPECIFIED, DIMENSIONS ARE IN INCHES AND TOLERANCES ARE: 2 PLACE DECIMAL ±.015 (0.381 mm) 3 PLACE DECIMAL ±.005 (0.127 mm) ANGLES ± 1°	MATERIAL	DRAWN D. LEWIS	DATE 7/14/93	TITLE BNC JACK RT/ANGLE MOUNT PCB RECEPT (WHT) W/ MTG HDWR	Amphenol Amphenol Corporation RF/Microwave Operations Danbury, Conn. U.S.A. 06810 SCALE: 2:1 SHEET 2 OF 2		
	NOTICE - These drawings, specifications, or other data (1) are, and remain the property of Amphenol Corp. (2) must be returned upon request; and (3) are confidential and not to be disclosed to any person other than those to whom they are given by Amphenol Corp. The furnishing of these drawings, specifications, or other data by Amphenol Corp., or to any other person to anyone for any purpose is not to be regarded by implication or otherwise in any manner licensing, granting rights or permitting such holder or any other person to manufacture, use or sell any product, process or design, patented or otherwise, that may in any way be related to or disclosed by said drawings, specifications, or other data.	REFERENCE EAR 963794-0	ENGINEER RAV	DATE 7/15/93		APPROVED D. LEWIS	DATE 7/14/93
		CAD FILE H:\DEPT611\BNC\031\ASSY\5431\2010SH2.DWG		CODE ID 74868	DWG SIZE B	DRAWING NO. 31-5431-2010	ISSUE C