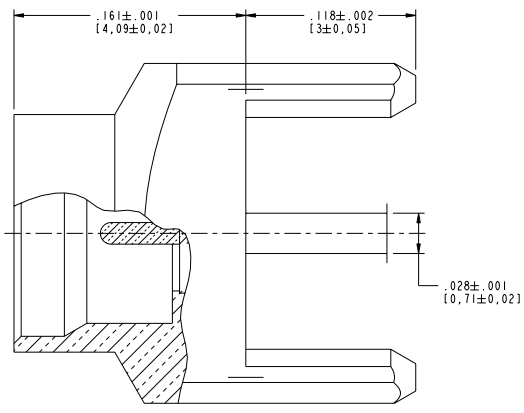
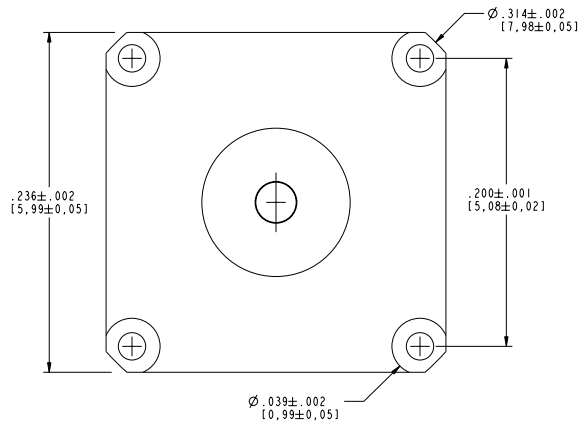
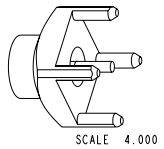


NOTES:

- MATERIALS AND FINISHES:  
 BODY - BRASS, GOLD PLATING, .000030 [0.8] THICK OVER COPPER  
 CONTACT - BRASS, GOLD PLATING, .000030 [0.8] THICK OVER COPPER  
 INSULATOR - PEEK OR LCP
- ELECTRICAL:  
 A. IMPEDANCE: 50 OHM  
 B. FREQUENCY RANGE: DC - 6 GHz  
 C. VSWR(RETURN LOSS): 1.10 (26.4 dB), MAX. DC-2GHz  
 1.22 (20 dB), MAX. 2-6GHz  
 D. DIELECTRIC WITHSTANDING VOLTAGE: 500 VRMS, MIN.
- PHYSICAL:  
 A. DURABILITY: 500 CYCLES MIN.  
 B. ENGAGEMENT FORCE: 2 LB [9 N] MAX  
 C. DISINGAGEMENT FORCE: .5 LB [2.2 N] MIN  
 D. INNER CONTACT RETENTION FORCE: 1.5 LB [7 N] MIN  
 E. TEMPERATURE RANGE: -65° C TO 165° C
- PACKAGING:  
 A. QUANTITY: SINGLE PACK  
 B. MARKING:  
 AMPHENOL  
 SMP-MSSB-PCT  
 DATE CODE  
 QTY

| SMP-MSSB-PCT      |     | REVISIONS  |         |     |      |
|-------------------|-----|--|---------|-----|------|
| DRAWING NO.       | REV | DESCRIPTION  | DATE    | ECO | APPR |
| FIRST ANGLE PROJ. | 01  | PROTOTYPE RELEASE  | 8/28/01 | --- | MH   |
|                   | 02  | SB WAS CM, SINGLE PACK WAS TAPE AND REEL, REMOVED PICK AND PLACE CAP | 1/24/02 |     | ORB  |



**CUSTOMER OUTLINE DRAWING**  
**ALL OTHER SHEETS ARE FOR INTERNAL USE ONLY**

|   |   |                       |                   |   |  |                                 |                  |               |
|---|---|-----------------------|-------------------|---|--|---------------------------------|------------------|---------------|
| UNLESS OTHERWISE SPECIFIED, DIMENSIONS ARE IN INCHES AND TOLERANCES ARE:<br>2 PLACE DECIMAL ±.015 (0.381 mm)<br>3 PLACE DECIMAL ±.005 (0.127 mm)<br>ANGLES ± 1° | MATERIAL  | DRAWN<br>M. HOYACK    | DATE<br>28-Aug-01 | TITLE<br>SMP MALE, PIN CONTACT<br>PCB RECEPTACLE<br>SMOOTH BORE | Amphenol<br>Amphenol Corporation<br>Communication and Network<br>Products Division<br>Danbury, CT U.S.A. 06810<br>SCALE: 15.0:1 SHEET 2 OF 2 |                                 |                  |               |
|   | REFERENCE<br>EARR 283<br>GEN# ASSYM4_SMP<br>615X-1732 | ENGINEER<br>M. HOYACK | DATE<br>28-Aug-01 | APPROVED  |  | CAD FILE<br>I:\SMP\SMP-MSSB-PCT | CODE ID<br>74868 | DWG SIZE<br>B |