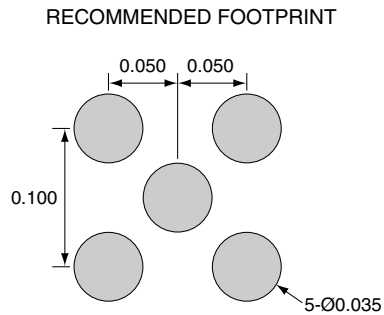
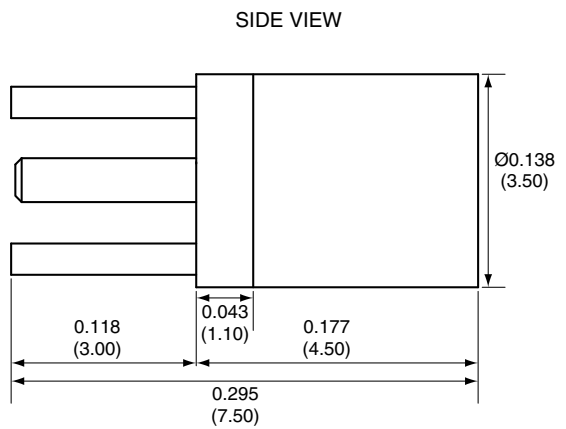
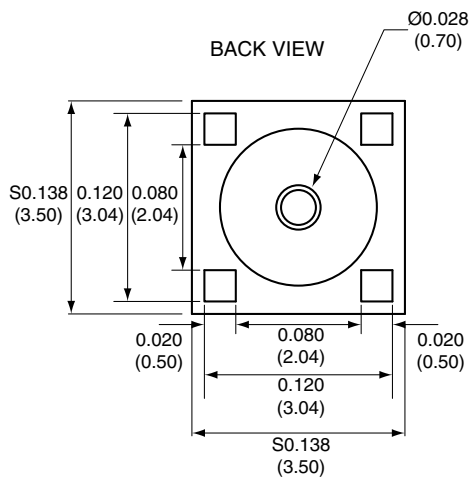


1		
Description	Material	Finish
Body	Brass	Gold
Socket	BE CU	Gold
Insulation	Teflon	Teflon



Title		MMCX FEMALE PCB MOUNT		CONNECTOR CITY 159 ORT LANE MERLIN, OR 97532	
Part No.	CONMMCX001	Revision:	1.0	PH (541)-471-6256 FAX (541)-471-6251	
Dimensions:	INCHES (mm)	Date:	6/9/2006	Sheet 1 of 1	

