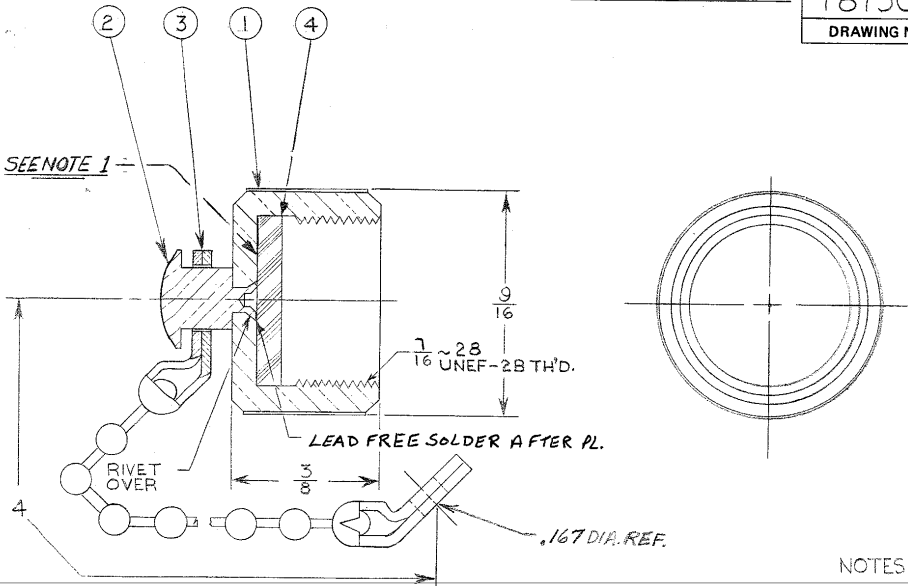


DO NOT SCALE THIS DRAWING

78750

REVISIONS

SYMBOL	DESCRIPTION	DATE	E.C.O. NO.	APPR.
	OFFICIAL ENG. RELEASE TO MFG.	3.25.83	8183	
J	REDRAWN-NO CHANGE	6.18.81	27978	LA
K	NOTES 3 & 4 WERE ASTROPLATE	1/29/93	39321	OR
L	LEAD FREE WAS SOFT SOLDER	8/1/05	45660	CPM



NOTES CONT'D.:

6. U.L. RECOGNIZED ITEM. NO CHANGES ARE PERMITTED WHICH AFFECT CATALOG SPECIFICATIONS.

NOTES:

- BOND ITEM 1 TO ITEM 4 PER 400004 USING ADHESIVE RUBBER MIL-R-5092A(AER) TYPE 2.
- '133305-00-AMPHENOL' PRINTED ON IDENTIFICATION TAG TO BE PLACED IN EACH BAG FOR SANDIA ORDERS ONLY
- PLATING MUST CONFORM TO SPEC. 349-50560. ALL METAL PARTS ARE ASTROPLATED. (REF.)
- PACKAGE THIS CONNECTOR IN BAG 999-226. MARK PACKAGING BAG "R/ 5A 500V".

78754	1	4	GASKET	
78753-NC	1	3	CHAIN ASSEMBLY	SEE NOTE 3
31-927-NA	1	2	RIVET	SEE NOTE 3
78751-NA	1	1	CAP	SEE NOTE 3

PART NO.	QUAN	UOM	ITEM LINE NO.	DESCRIPTION	CODE	FINISH
----------	------	-----	---------------	-------------	------	--------

LIST OF MATERIAL

REMOVE ALL BURRS, BREAK CORNERS AND SHARP EDGES .005 MAXIMUM UNLESS OTHERWISE SPECIFIED.

NOTICE—These drawings, specifications, or other data (1) are, and remain the property of Bunker-Ramo Corporation (2) must be returned upon request, and (3) are confidential and are not to be disclosed to any person other than those to whom they are given by Bunker-Ramo Corporation. The furnishing of these drawings, specifications, or other data by Bunker-Ramo Corporation, or by any other person, to anyone for any purpose is not to be regarded by implication or otherwise as in any manner licensing, granting rights or permitting such holder or any other person to manufacture, use or sell any product, process or design, patented or otherwise, that may in any way be related to or disclosed by said drawings, specifications or other data.

NEXT ASSY	USED ON	UNLESS OTHERWISE SPECIFIED DIMENSIONS ARE IN INCHES. TOLERANCES NOT OTHERWISE SPECIFIED ARE:
		2 PLACE DECIMAL ±.015 (0.381 mm)
		3 PLACE DECIMAL ±.005 (0.127 mm)
		ANGLES ± 1°
MATERIAL		REFERENCE DRAWING NO.
SPECIFICATION		SANDIA 133305
FINISH		

DRAWN BY	IMTIAZ AHMAD	DATE	6.18.81
CHECKED	W. COLWELL	DATE	8/11/81
ENGINEER		DATE	
APPROVED	<i>[Signature]</i>	DATE	8-18-81
QUALITY ASSURANCE		DATE	
MFG. ENG.		DATE	8-18-81
		DATE	2-24-93

TITLE	SCALE	SHEET	OF	ISSUE
TNC CAP & CHAIN	4:1	1	1	L
CODE IDENTIFICATION	DRAWING SIZE	DRAWING NO.		
74868	B	78750		

BUNKER RAMO AMPHENOL NORTH AMERICA
BUNKER RAMO CORPORATION
RF Operations
33 East Franklin Street
Danbury, CT 06810