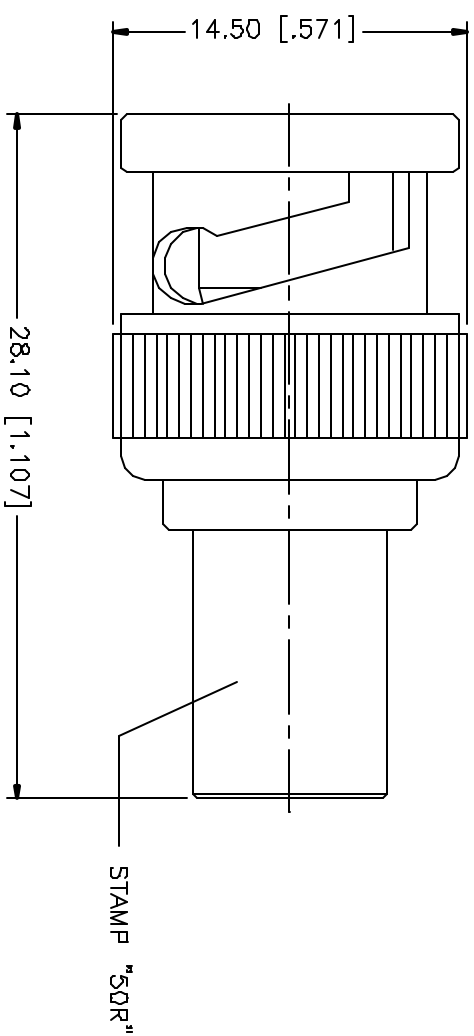


REV.	DATE	DESCRIPTION
A	05/23/05	UPDATE DRAWING FORMAT



QTY	FINISH	MATERIAL	DESCRIPTION
1	NICKEL	BRASS	BODY
1	NATURAL	DELTRIN	INSULATOR
1	GOLD	BRASS	CONTACT PIN

APPROVALS	DATE
DRAWN G.R.S.	05/23/05
CHECKED	
ISSUED	
SHEET 1 OF 1	

Amphenol Connex BNC TERMINATOR PLUG - 50ohm PART NO. 202103	DWG. NO. 202103.DWG REV. A SITE A SCALE NA
---	---

MASS FINISH SPECIFIED IN DRAWING ARE USED UNLESS OTHERWISE SPECIFIED. ALL DIMENSIONS ARE IN MILLIMETERS UNLESS OTHERWISE SPECIFIED. DIMENSIONS FOR MILLIMETERS ARE: D.S - 30mm ± 0.20mm Ø - 30mm ± 0.40mm 3Ø - 120mm ± 0.50mm MASS FINISH SPECIFIED IN DRAWING ARE: DIMENSIONS FOR INCHES ARE: .020 - .315 = ± 0.007" .315 - 1.180 = ± 0.015" 1.180 - 4.724 = ± 0.020" DID NOT SCALE DRAWING
--