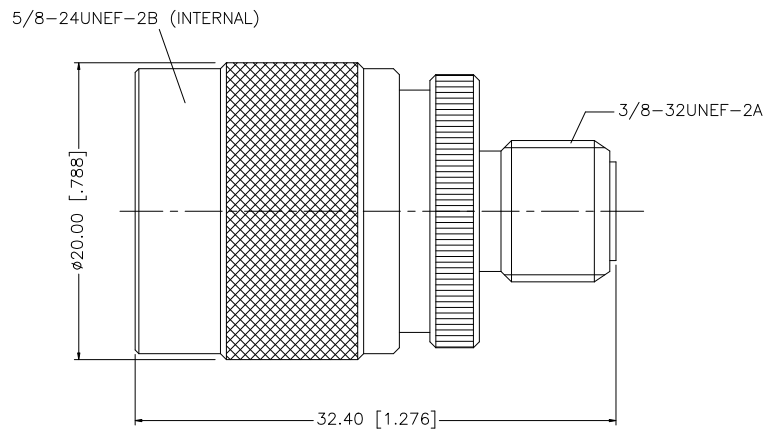


REV.	DATE	ECR NO.	DESCRIPTION
NC	03/06/00	-	INITIAL RELEASE
A	06/03/08	100024	UPDATE DRAWING FORMAT, INSULATOR REVISED TO PTFE



				UNLESS OTHERWISE SPECIFIED DIMENSIONS ARE IN MILLIMETERS; DIMENSIONS IN () ARE IN INCHES AND FOR CUSTOMER REFERENCE ONLY.	APPROVALS	DATE	Amphenol Connex				
8					DRAWN	GRS				06/03/08	PART DESCRIPTION N MALE TO F FEMALE W/WATERPROOF ADAPTER
7					CHECKED			PART NO. 242156			
6					ISSUED						DWG. NO. 242156.DWG REV. A SIZE A SCALE NA
5					SHEET	1 OF 1		DO NOT SCALE DRAWING CAD FILE C:/242/242156.DWG			
4	GASKET	SILICONE	RED	1							
3	CONTACT PIN	BER. COPPER	GOLD	1							
2	INSULATOR	PTFE	NATURAL	1							
1	BODY	BRASS	NICKEL	1							
				UNLESS OTHERWISE SPECIFIED TOLERANCES FOR MILLIMETERS ARE: 0.5 - 8mm ± 0.20mm 8 - 30mm ± 0.40mm 30 - 120mm ± 0.50mm UNLESS OTHERWISE SPECIFIED TOLERANCES FOR INCHES ARE: .020 - .315 = ± 0.007" .315 - 1.180 = ± 0.015" 1.180 - 4.724 = ± 0.020"							