
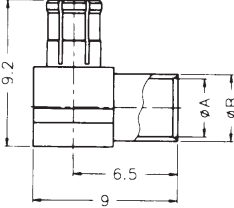



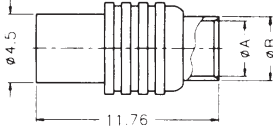
50 Ohm For Semi-Rigid Cable and PCB

Fig. 1


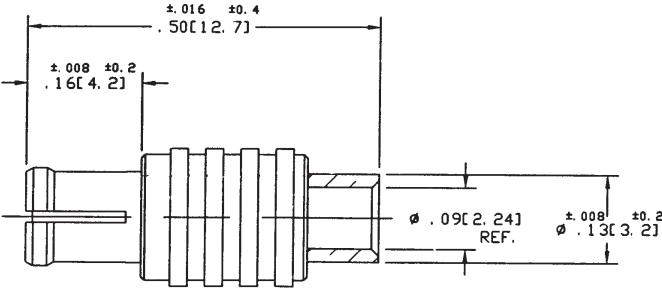
MCX Angle Plug, Solder to Body
919-102P-51AX
 for .085 S/R (2.2mm)
919-103P-51AX
 for .141 S/R (3.6mm)

Fig. 2

MCX Jack, Solder to Body
919-114J-51SX
 for .085 S/R (2.2mm)

Fig. 3

MCX Plug Solder to Body
919-120P-51SX
 for .085 S/R 2.2mm

50 OHM MCX SEMI-RIGID CABLE CONNECTORS

Cable RG-/U	Cable Attachment		CAI	Plt.	Ins.	Construction Notes	Amphenol Number	Fig.
	Outer	Inner						
.085 Semi-Rigid	Solder	Solder	C76	P11	D1	Gold Plated	919-102P-51AX	1
.085 Semi-Rigid	Solder	Solder	C75	P11	D1	Gold Plated	919-114J-51SX	2
.085 Semi-Rigid	Solder	Solder	C75	P11	D1	Gold Plated	919-120P-51SX	3
.141 Semi-Rigid	Solder	Solder	C76	P11	D1	Gold Plated	919-103P-51AX	1