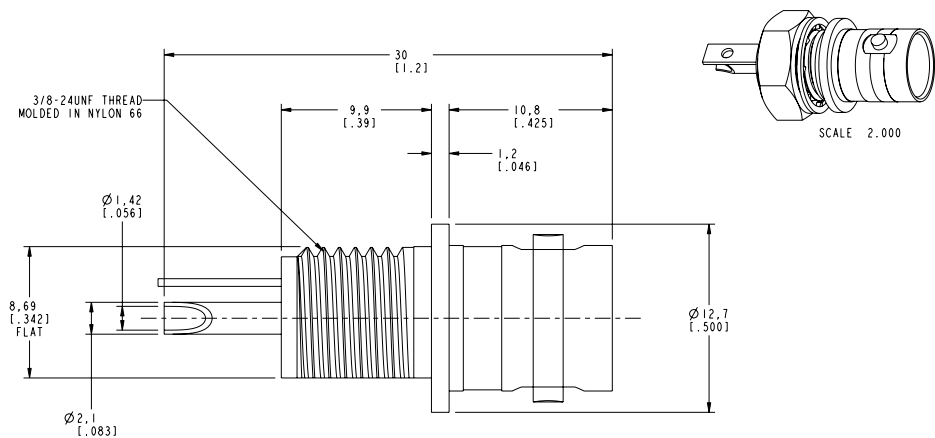
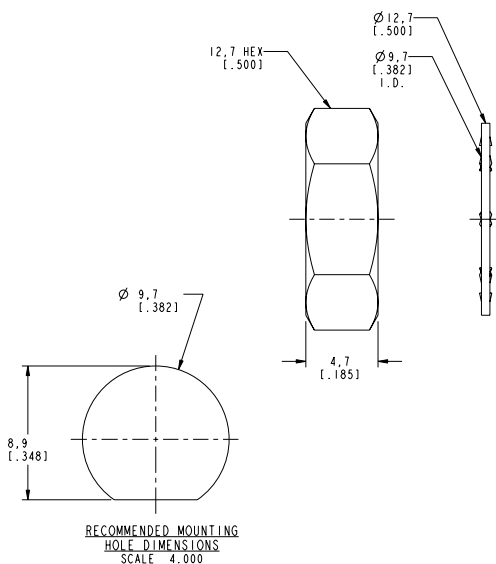


NOTES:

- MATERIALS OF CONSTRUCTION:
 BODY & HEX NUT = BRASS (ASTM-B16 H02, C36000), NICKEL PLATED (.000100 MIN THICK)
 LOCKWASHER & LOCK RING = BRASS (00-B-613), NICKEL PLATED (.000100 MIN THICK)
 BRAID GROUNDING = BRASS (00-B-613), BRIGHT TIN PLATED (.000200 MIN THICK)
 CONTACT PIN = PHOSPHOR BRONZE (00-B-750), GOLD PLATED (.000003 MIN THICK)
 INSULATOR = NYLON, COLOR WHITE
- RECOMMENDED TORQUE: A MAXIMUM TORQUE OF 12 INCH-LBS MAY BE APPLIED ON HEX NUT WHEN MOUNTING CONNECTOR IN PANEL.
- MAX PANEL THICKNESS = 4,75mm [.187]

31-10-75		REVISIONS			
DRAWING NO.	REV	DESCRIPTION	DATE	ECO	APPR
THIRD ANGLE PROJ.	--	RELEASE TO MFG.			
	F	SEE SHEET 1	1/8/03	44322	CPM
	G	SEE SHEET 1	12/16/04	45174	CPM



CUSTOMER OUTLINE DRAWING
 ALL OTHER SHEETS ARE FOR INTERNAL USE ONLY

UNLESS OTHERWISE SPECIFIED, DIMENSIONS ARE IN MM (INCHES) AND TOLERANCES ARE: 0.5 - 6mm ±0.2mm 6 - 30mm ±0.4mm 30 - 120mm ±0.6mm	MATERIAL REFERENCE EAR 70250-2 GEN# ASSYF14.BNC	DRAWN C. McGRATH	DATE 1/3/03	TITLE BNC RECEPTACLE INSULATED FROM GROUND 75 OHM	Amphenol Amphenol Corporation Communication and Network Products Division Danbury, CT U.S.A. 06810			
		ENGINEER O. BARTHELME	DATE 1/3/03					
NOTICE - These drawings, specifications, or other data (1) are, and remain the property of Amphenol Corp. (2) must be returned upon request; and (3) are confidential and not to be disclosed to any person other than those to whom they are given by Amphenol Corp. The furnishing of these drawings, specifications, or other data by Amphenol Corp., or to any other person for any purpose is not to be regarded by implication or otherwise in any manner licensing, granting rights or permitting such holder or any other person to manufacture, use or sell any product, process or design, patented or otherwise, that may in any way be related to or disclosed by said drawings, specifications, or other data.	APPROVED O. BARTHELME	DATE 1/8/03	CAD FILE I:\BNC\31-10-75	CODE ID 74868	DWG SIZE B	DRAWING NO. 31-10-75	SCALE: 4.0:1 SHEET 2 OF 2	REV G