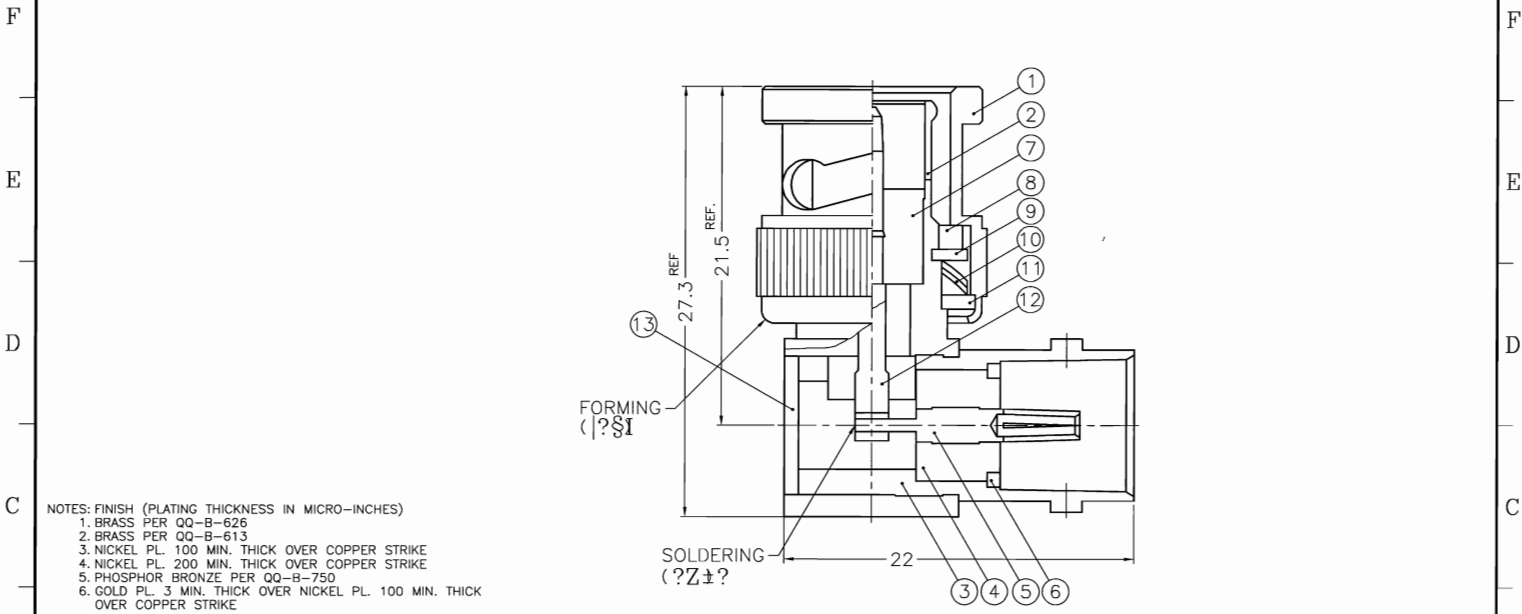


1 2 3 4 5 6 7 8

REVISIONS			
ISS	ZONE	DESCRIPTION\PER REQUEST\DATE	



NOTES: FINISH (PLATING THICKNESS IN MICRO-INCHES)
 1. BRASS PER QQ-B-626
 2. BRASS PER QQ-B-613
 3. NICKEL PL. 100 MIN. THICK OVER COPPER STRIKE
 4. NICKEL PL. 200 MIN. THICK OVER COPPER STRIKE
 5. PHOSPHOR BRONZE PER QQ-B-750
 6. GOLD PL. 3 MIN. THICK OVER NICKEL PL. 100 MIN. THICK OVER COPPER STRIKE

13	COVER	NOTE 2	NOTE 3	1	CV-895X07-T
12	CONTACT PIN	NOTE 1	NOTE 6	1	B5091-6-75-B
11	WASHER	NOTE 2	NOTE 3	1	WS-128/9X08
10	SPRING	SK5	NOTE 4	2	B50000-6
9	RETAINER RING	NOTE 1	NOTE 3	1	B50000-5
8	GASKET	RUBBER	RED	1	GS-115/8X15
7	INSULATOR	DELTRIN	NATURAL	1	B5091-5-75-B
6	LOCK RING	NOTE 1	NOTE 3	1	LR-79/62X08
5	CONTACT PIN	NOTE 5	NOTE 6	1	B5990-5
4	INSULATOR	DELTRIN	NATURAL	1	B5990-4-75
3	BODY	NOTE 1	NOTE 3	1	B5990-3
2	HOUSING	NOTE 1	NOTE 3	1	B7996-2
1	SHELL	NOTE 1	NOTE 3	1	B50000-1-B

DIMENSIONS ARE IN MILLIMETERS UNLESS OTHERWISE SPECIFIED TOLERANCES		PART NO. 112452 015072AAB00ND7F	
0.5-6 = ±0.2	6-30 = ±0.4	APPROVED	DATE 12-06-99'
30-120 = ±0.6	120-315 = ±1	CHECKED	DATE 12-06-99'
315-1000 = ±1.6	1000-2000 = ±2.4	DRAWN	DATE 12-06-99'
SCALE 3/1	ISSUE A		

Amphenol - Kai Jack TAINAN TAIWAN	
TITLE BNC MALE TO FEMALE R/A ADAPTOR	
DRAWING NO. KJ-B5072A1-ND3G-75	
FILE NO. F:\DWG\H\5072A1\75\ND3G	

1 2 3 4 5 6 7 8