



Heyco-Flex™ Liquid Tight Conduit Fittings Straight-Thru, Snap-In Hubs

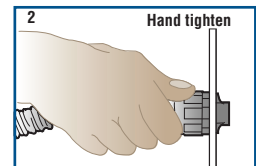
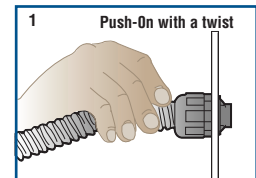
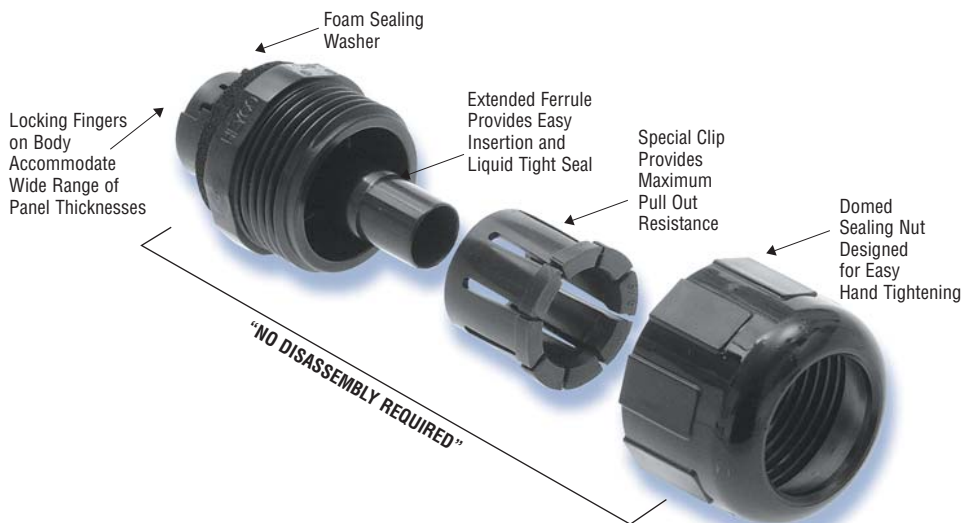
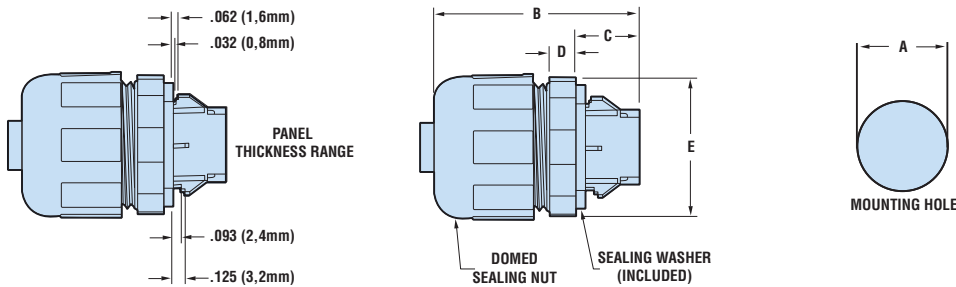
For Flexible, Nonmetallic Liquid Tight Conduit and Tubing



FITS CONDUIT/ TUBING TRADE SIZE	PART NO.	DESCRIPTION	PART DIMENSIONS									
			A		B		C		D		E	
			Mounting Hole Dia. in.	mm.	Max O.A. Length in.	mm.	Body Length in.	mm.	Wrenching Nut Thk. in.	mm.	Wrenching Flats in.	mm.
1/4	8382	HFC 1/4-S	.500	12,7	1.500	38,1	.445	11,3	.219	5,6	.875	22,2
3/8	8384	HFC 3/8-S	.750	22,2	2.000	50,8	.625	15,9	.250	6,3	1.328	33,7
1/2	8386	HFC 1/2-S	.875	22,2	2.000	50,8	.625	15,9	.250	6,3	1.328	33,7
3/4	8388	HFC 3/4-S	1.090	27,7	2.031	51,6	.625	15,9	.250	6,3	1.562	39,7
1	8390	HFC 1-S	1.375	34,9	2.250	57,1	.781	19,8	.250	6,3	1.812	46,0

Standard color black.

- Multiple sizes for use with Heyco-Flex Conduit and Tubing. See pages 1-1 and 1-2.
- Assembly friendly! The installer simply pushes the conduit or tubing onto the ferrule, then tightens the domed sealing nut. This completed assembly can then be snapped into the panel with fingertip pressure.
- No threading of the conduit or tubing required to install. This eliminates the possibility of cutting the conduit and creating leak paths.
- Complete conduit/fitting system is reusable. Conduit will not wind tight onto the connector during assembly and can be easily removed by pulling while turning in a clockwise direction.
- Suitable for indoor/outdoor use; for original equipment manufacturers or field installers.
- Resists salt water, weak acids, gasoline, alcohol, oil, grease, and common solvents. This feature is not assessed by UL certification or testing.
- Protection class IP 68 up to 70 psi (5 bar) water pressure.



Material	6/6 Nylon
Certifications	<ul style="list-style-type: none"> UL Listed under Underwriters' Laboratories File E28430 SP Certified by Canadian Standards Association File LR84579 and LR81067
Flammability Rating	94V-2
Material Temperature Index	257°F (125°C)–Maximum temperature on part not to exceed 221°F (105°C)

Quick Specs