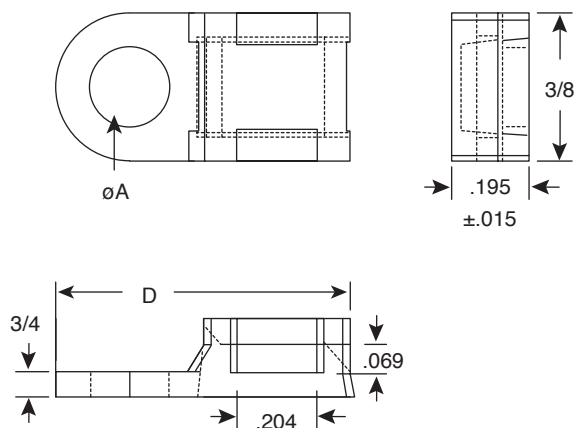


Date Last Revised: 10-30-06

Dimensions: in.



Part Number	Screw Size	Dim.: in.
		B
561-TA40170	#8	0.171
561-TA40200	#10	0.201

Available from Mouser Electronics
 1-800-346-6873
 www.mouser.com

EPD-200468

Specifications are subject to change without notice. No liability or warranty implied by this information. Environmental compliance based on producer documentation.