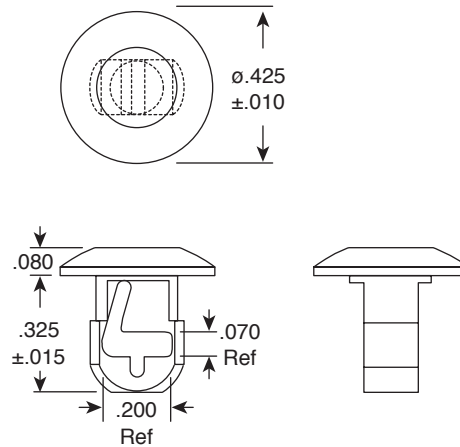


Dimensions: in.



Flat tie holder for use when both sides of the panel are accessible.

Part Number	Panel Hole Diameter	Panel Thickness
561-TA250125	.250"	.125"