



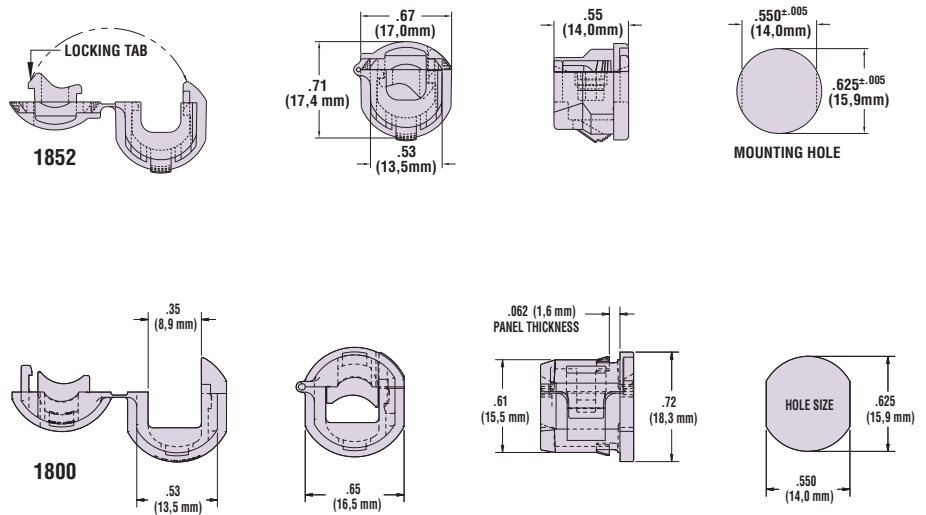
Heyco® RDD Lockit™ Strain Relief Bushings

For Round Cables

- Automated application equipment speeds assembly to cable and lowers costs while greatly reducing the risk of Carpal Tunnel Syndrome.
- See page 3-1 for Heyco's Automated Pre-Assembly Equipment.
- Installs easily with fingertip pressure into a standard Double "D" hole. No clumsy hand tools required!
- Assembly friendly! Independent of insertion into the panel, RDD Lockit Strain Reliefs self-lock onto the cable. Thus, they may be preassembled offline for final assembly at a later time or remote location, for lower installed cost!
- Multiple panel locking steps secure lockit strain relief into range of panel thicknesses.

WILL FIT THESE CABLES				PANEL DIMENSIONS				PART NO.	DESCRIPTION
UL Type Designation	AWG Conductors	Approximate Size		Mounting Hole Size		Thickness			
		in.	mm.	in.	mm.	in.	mm.		
SV & SVT	18/2	.220 .290	5,6 7,4	.625 w/ .550 flats	15,9 w/ 14,0 flats	.032 .040 .048 .063 .099	0,8 1,1 1,2 1,6 2,5	1852	RDD 101
AWN SJTO SJ	18/3	.130 .210	3,3 5,3	.625 w/ .550 flats	15,9 w/ 14,0 flats	.032 .040 .048 .063 .099	0,8 1,1 1,2 1,6 2,5	1870	RDD 101-A
SJTO SEOW	18/3	.290 .385	7,4 9,8	.875 w/ .770 flats	22,2 w/ 19,6 flats	.032 .063 .099 .126 .157	0,8 1,6 2,5 3,2 4,0	1857	RDD 201
SJT SJO	18/3	.300 .330	7,6 8,4	.625 w/ .550 flats	15,9 w/ 14,0 flats	.062	1,6	1800	RDD 6N-2

Standard color black. Consult Heyco for white and other colors.



Quick Specs

Material	6/6 Nylon
Certifications	Recognized under UL File E15331 (far exceeds UL's 35# pull out test).
Flammability Rating	94V-2
Material Temperature Index	275°F (125°C)–Maximum temperature on part not to exceed 221°F (105°C)