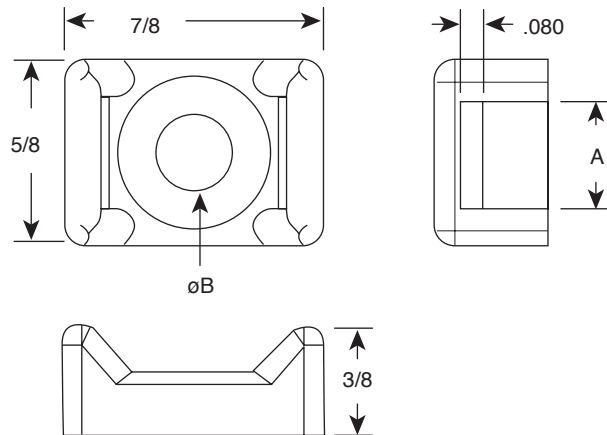


Date Last Revised: 10-30-06

Dimensions: in.



Part Number	Dimensions: in.	
	A	B
561-TA00600	0.37	0.26
561-TA00700	0.37	0.195

Available from Mouser Electronics  
 1-800-346-6873  
 www.mouser.com

EPD-200465