



Heyco®-Tite Liquid Tight Cordgrips Straight-Thru, NPT Hubs

For Flexible Cords. For use in clearance or threaded holes.

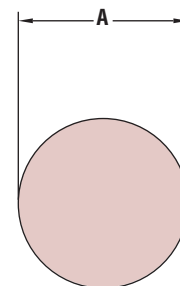
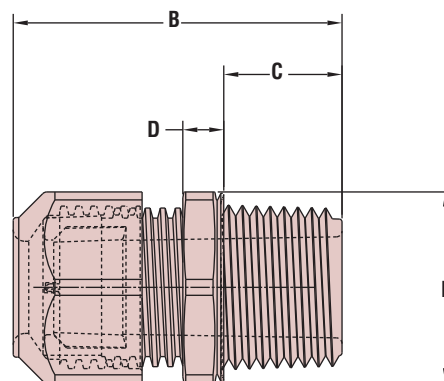
The Ultimate in Liquid Tight Strain Relief Protection

- Multiple sizes for cable diameters ranging from .065" (1,7 mm) to 1.730" (44,0 mm).
- We recommend using the fitting with the smallest maximum diameter that will fit your application.
- Ratchet design of sealing nut assembly provides superior anti-vibration protection and ensures a firm grip on the cable.
- Integral Sealing Ring ensures a Superior seal at mounting location every time.
- Acme threads on body prevent skipping and speed installation.
- All nylon construction with Buna N Sealing Gland resists salt water, weak acids, gasoline, alcohol, oil, grease, and common solvents. This feature is not assessed by UL.
- Suitable for NEMA 6P enclosures.
- **Locknuts not included.** For nylon locknut specifications or to order locknuts separately, see page 2-21.
- Consult Heyco for cordgrips molded in other colors.

| CABLE DIA. RANGE | | | | PART NO. | | DESCRIPTION | PART DIMENSIONS | | | | | | | | | |
|------------------|------|-----------|------|----------|-------|--------------|---------------------|------|-----------------------|------|--------------------|------|-------------------------|------|----------------------|------|
| Min. Dia. | | Max. Dia. | | Black | Gray | | A Clearance Hole | | B Max. O.A. Length | | C Thread Length | | D Wrenching Nut Thk. | | E Wrenching Flats | |
| in. | mm. | in. | mm. | | | | in. | mm. | in. | mm. | in. | mm. | in. | mm. | in. | mm. |
| .065 | 1,7 | .210 | 5,6 | M4514 | M4515 | * RLTCG 1/4 | | | | | | | | | | |
| .115 | 2,9 | .250 | 6,4 | M4516 | M4517 | * LTCG 1/4 | .540 | 13,7 | 1.29 | 32,8 | .45 | 11,4 | .21 | 5,3 | .63 | 16,0 |
| .065 | 1,7 | .230 | 4,7 | M3458 | M3459 | * RLTCG 3/8 | | | | | | | | | | |
| .105 | 2,7 | .315 | 7,9 | M3228 | M3229 | * LTCG 3/8 | .680 | 17,3 | 1.41 | 35,8 | .49 | 12,4 | .21 | 5,3 | .83 | 21,1 |
| .095 | 2,4 | .290 | 7,4 | M4518 | M4519 | RLTCG 1/2 | | | | | | | | | | |
| .170 | 4,3 | .450 | 11,4 | M3231 | M3232 | LTCG 1/2 | .875 | 22,2 | 1.70 | 43,2 | .61 | 15,5 | .21 | 5,3 | .98 | 24,9 |
| .180 | 4,6 | .440 | 11,2 | M4520 | M4521 | RLTCG LL 1/2 | | | | | | | | | | |
| .260 | 5,8 | .546 | 13,5 | M3200 | M3201 | LTCG LL 1/2 | .875 | 22,2 | 1.85 | 47,0 | .61 | 15,5 | .25 | 6,4 | 1.06 | 26,9 |
| .256 | 6,5 | .490 | 12,4 | M3460 | M3461 | RLTCG 3/4 | | | | | | | | | | |
| .435 | 11,0 | .705 | 17,9 | M3234 | M3235 | LTCG 3/4 | 1.040 | 26,4 | 2.00 | 50,8 | .62 | 15,7 | .25 | 6,4 | 1.30 | 33,0 |
| .490 | 12,4 | .785 | 20,0 | M8439 | M8440 | RLTCG 1 | | | | | | | | | | |
| .590 | 15,0 | 1.000 | 25,4 | M8437 | M8438 | LTCG 1 | 1.326 | 33,7 | 2.41 | 61,2 | .76 | 19,3 | .30 | 7,6 | 1.73 | 43,9 |
| .787 | 20,0 | 1.020 | 25,9 | M4522 | M4523 | RLTCG 1-1/4 | | | | | | | | | | |
| .875 | 22,2 | 1.260 | 32,0 | M4524 | M4525 | LTCG 1-1/4 | 1.680 | 42,7 | 2.69 | 68,3 | .78 | 19,8 | .30 | 7,6 | 2.05 | 52,1 |
| 1.000 | 25,4 | 1.240 | 31,5 | M3319 | M3320 | RLTCG 1-1/2 | | | | | | | | | | |
| 1.230 | 31,2 | 1.560 | 39,6 | M3317 | M3318 | LTCG 1-1/2 | 1.920 | 48,8 | 2.81 | 71,3 | .76 | 19,3 | .36 | 9,1 | 2.48 | 63,0 |
| 1.160 | 29,5 | 1.350 | 34,3 | M3323 | M3324 | RLTCG 2 | | | | | | | | | | |
| 1.450 | 36,8 | 1.560 | 39,6 | M3321 | M3322 | LTCG 2 | 2.400 | 60,8 | 2.93 | 74,3 | .79 | 20,1 | .42 | 10,7 | 2.75 | 69,9 |

Standard colors black and gray.

* Recognized under Underwriters' Laboratories.



SUGGESTED CLEARANCE HOLE FOR NON-THREADED MOUNTING

Quick Specs

| | |
|---------------------|---|
| Material | 6/6 Nylon w/Buna N Sealing Gland |
| Certifications | Listed under Underwriters' Laboratories File E51579 Certified By Canadian Standard Association File LR93876C |
| Flammability Rating | 94V-2—Consult factory for V0 material |
| Temperature Rating | Static -40°F (-40°C) to 239°F (115°C) Dynamic -4°F (-20°C) to 212°F (100°C) |
| IP Rating | IP 68 (70 PSI, 5 BAR) |