



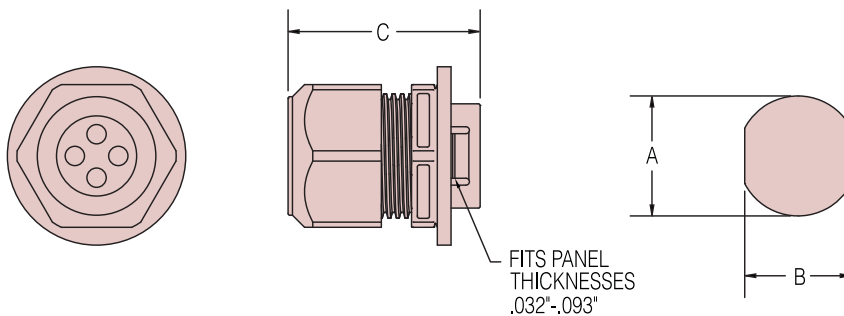
Heyco® Liquid Tight Snap-In Multi-Hole Cordgrips

"Combiner Box" Cord Grips



FOR USE ON		PART NO.		DESC.	GLAND CONFIG.	PART DIMENSIONS									
Wire Type	Approx. Dia.	Black				A	B	C		D					
		in	mm			Mounting Hole	To Prevent	Panel	Panel	Max O.A.					
						in	mm	in	mm	in	mm	in	mm		
USE-2	12 AWG	0.180	4,6	M4818GAB	SCG 875	2 - 4,2 mm holes	0.875	22,2	0.770	19,6	.032-.093	0,8-2,4	1.460	37,1	
USE-2	10 AWG	0.205	5,2	M4818GAE											2 - 5,2 mm holes
USE-2	12 AWG	0.180	4,6	M4830GBD	SCG 1093	3 - 4,6 mm holes	1.093	27,8	0.970	24,6	.032-.093	0,8-2,4	1.750	44,5	
USE-2	12 AWG	0.180	4,6	M4830GBE											4 - 4,6 mm holes
USE-2	10 AWG	0.205	5,2	M4830GAF											3 - 5,2 mm holes
USE-2	10 AWG	0.205	5,2	M4830GAG											4 - 5,2 mm holes
1000V PV Cable	12 AWG	0.280	7,1	M4830GAM											3 - 7,0 mm holes
1000V PV Cable	12 AWG	0.280	7,1	M4830GAN											2 - 7,4 mm holes
1000V PV Cable	10 AWG	0.305	7,7	M4830GAQ											2 - 8,0 mm holes
USE-2	12 AWG	0.180	4,6	M4836GBD											3 - 4,6 mm holes
USE-2	12 AWG	0.180	4,6	M4836GBE											4 - 4,6 mm holes
USE-2	10 AWG	0.205	5,2	M4836GAF											3 - 5,2 mm holes
USE-2	10 AWG	0.205	5,2	M4836GAG	4 - 5,2 mm holes										
1000V PV Cable	12 AWG	0.280	7,1	M4836GAM	3 - 7,0 mm holes										
1000V PV Cable	12 AWG	0.280	7,1	M4836GAN	2 - 7,4 mm holes										
1000V PV Cable	10 AWG	0.305	7,7	M4836GAQ	2 - 8,0 mm holes										
USE-2	12 AWG	0.180	4,6	M4836GBD	SCG 1125	3 - 4,6 mm holes	1.125	28,6	1.000	25,4	.032-.093	0,8-2,4	1.750	44,5	
USE-2	12 AWG	0.180	4,6	M4836GBE											4 - 4,6 mm holes
USE-2	10 AWG	0.205	5,2	M4836GAF											3 - 5,2 mm holes
USE-2	10 AWG	0.205	5,2	M4836GAG											4 - 5,2 mm holes
1000V PV Cable	12 AWG	0.280	7,1	M4836GAM											3 - 7,0 mm holes
1000V PV Cable	12 AWG	0.280	7,1	M4836GAN											2 - 7,4 mm holes
1000V PV Cable	10 AWG	0.305	7,7	M4836GAQ											2 - 8,0 mm holes

- Houses multiple wires at one entry point providing a liquid tight seal around each wire and at the panel.
- Ideal when individual conductors for power or control are used rather than jacketed cable.
- Secure "click in place" fit reduces tightening errors by installers.
- Smooth, rounded interior edges for ease of installation.
- Ratchet design of sealing nut assembly provides superior anti-vibration and ensures a firm grip on the cable.
- Easy to install—no tools required.
- Unique fingers securely lock into a range of panel sizes without use of locknut.
- Rotation prevented when used in "Double D" mounting holes.
- Limited intrusion into enclosure where access is tight.
- Consult Heyco for cordgrips molded in other colors.
- Made of nylon construction with TPE sealing glands that resist salt water, weak acids, gasoline, alcohol, oil, grease, and common solvents. This feature is not assessed by UL.
- Foam sealing washer included with Cord Grip.



Material	6/6 Nylon with TPE sealing gland
Flammability Rating	94V-2
Temperature Rating	-22°F (-30°C) to 212°F (100°C)
IP Rating	IP 64

Quick Specs