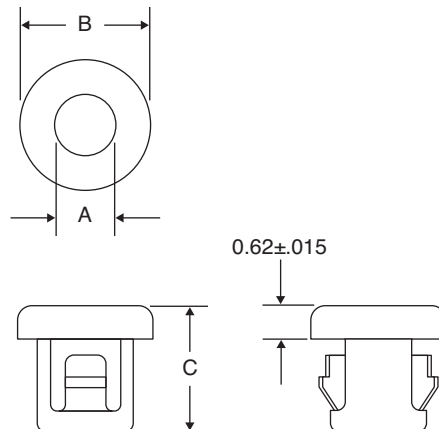


Dimensions: in.



EPD bushings provide economical protection for wire, cable, tubing, and hose from sharp, uneven drilled or punched holes in sheet metal.

The tough, resilient heat stabilized nylon bushings are easily and positively snapped into position without tools.

The bushings are the economical solution to insulate wire, cables, etc. from raw edges in compact designs where internal clearances are critical. Miniature bushings accommodate panels up to 1/16" thickness and require only 1/8" clearance. Standard bushings meet Underwriters Laboratories and Canadian Standards Association temperature and pull-out tests.

- Material Heat Stabilized Nylon UL 94V2
- Temperature Index 105°C
- Stocked In Standard Black
- Colors Available On Request

Part Number	Description	Dimensions: in.			Hole Dia.	Max. Panel Thickness
		Dia. A	Dia. B	Thickness C		
561-MP1010	MP 1010	0.125	0.250	0.234	0.187	0.062
561-MP1015	MP 1015	0.250	0.375	0.234	0.312	0.062
561-MP1030	MP 1030	0.375	0.562	0.250	0.500	0.062
561-MP1050	MP 1050	0.500	0.703	0.250	0.625	0.062
561-MP1060	MP 1060	0.625	0.828	0.250	0.750	0.062
561-MP1080	MP 1080	0.750	0.937	0.250	0.875	0.062

RoHS Compliant

Available from Mouser Electronics
1-800-346-6873 / www.mouser.com

EPD-200891

Specifications are subject to change without notice. No liability or warranty implied by this information. Environmental compliance based on producer documentation.