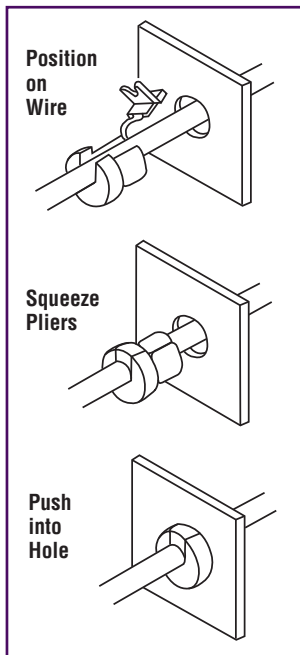




Heyco® Straight-Thru Strain Relief Bushings

For Round Cables

- Sizes SR2 to SR6 for mounting hole diameters from .375" (9.5 mm) to .687" (17.4 mm)
- Protects the lifeline of your electric/electronic products by absorbing the forces of pull, push and twist that maybe exerted on the flexible power cord.
- Securely anchors, insulates, and protects cables and panel entry points.
- Standardize panel design! Fill unneeded SR mounting holes with Heyco Double "D" Plugs, page 3-23.
- See pages 3-24, 3-25, and 3-26 for SR hole punches and assembly tools.

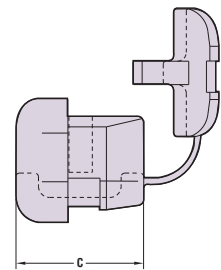
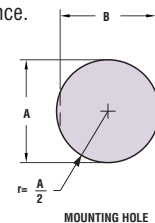


WILL FIT THESE CABLES				PANEL DIMENSIONS						PART NO.	DESCRIPTION	C BODY LENGTH		
UL Type Designation	AWG/ Conductors	Approximate Diameter		A Mounting Hole Dia.		B To Prevent Rotation		Maximum Panel Thickness ¹				Black	in.	mm.
		in.	mm.	in.	mm.	in.	mm.	in.	mm.					
AWM	—	.125- [*] .187	3,2-4,8	.375	9,5	.330	8,4	.062	1,6	1060	SR 2M-1	.406	10,3	
SV & SVT	18/2	.220-.245	5,6-6,2	.500	12,7	.450	11,4	.062	1,6	1157	SR 5MN-3	.438	11,1	
Same as SR 5MN-3 above except									.100	2,5	1140	SR 5M-3	.438	11,1
SV & SVT	18/2	.250	6,4	.500	12,7	.450	11,4	.062	1,6	1150	SR 5N-4	.438	11,1	
	18/3	.255	6,5	.500-.515	12,7-13,1									
HPD	18/2	.270	6,9	.500	12,7	.500-.515	12,7-13,1	.062	1,6	1147	SR 5P-4	.438	11,1	
	16/2	.290	7,4	.500-.515	12,7-13,1									
Same as SR 5N-4 above except									.100	2,5	1154	SR 5L-1	.438	11,1
SV & SVT	18/3	.255	6,5	.500	12,7	.450	11,4	.100	2,5	1137	SR 5P3-4	.438	11,1	
HPD	16/2	.290	7,4											
SJ, SJT & SJO	18/2	.300	7,6	.500	12,7	.465	11,8	.090	2,3	1184	SR 6W-1	.438	11,1	
SJ, SJT & SJO	18/2	.300	7,6	.625	15,9	.550	14,0	.062	1,6	1217	SR 6N-4	.578	14,7	
Same as SR 6N-4 above except									.125	3,2	1210	SR 6P-4	.578	14,7
SJ, SJT & SJO	16/2	.325	8,3	.625	15,9	.550	14,0	.062	1,6	1200	SR 6N3-4	.578	14,7	
	18/3	.330	8,4											
	14/2	.350	8,9											
	16/3	.355	9,0											
	18/4	.360	9,1											
Same as SR 6N3-4 above except									.125	3,2	1207	SR 6P3-4	.578	14,7
SJ, SJT & SJO	18/2	.300	7,6	.625	15,9	.550	14,0	.156	4,0	1214	SR 6L-1	.678	17,2	
	16/2	.325	8,3	.656	16,7									
	18/3	.330	8,4	.656	16,7									
	16/3	.355	9,0	.687	17,4									

Standard color black. Consult Heyco for white and other colors.

*AWG cable only.

¹Maximum Panel Thickness—Part has additional clearance.



Quick Specs

Material	6/6 Nylon
Certifications	UL Recognized under the Component Program of Underwriters' Laboratories File E15331
	CSA Certified by the Canadian Standards Association File LR8919
Flammability Rating	94V-2
Material Temperature Index	257°F (125°C)—Maximum temperature on part not to exceed 221°F (105°C)