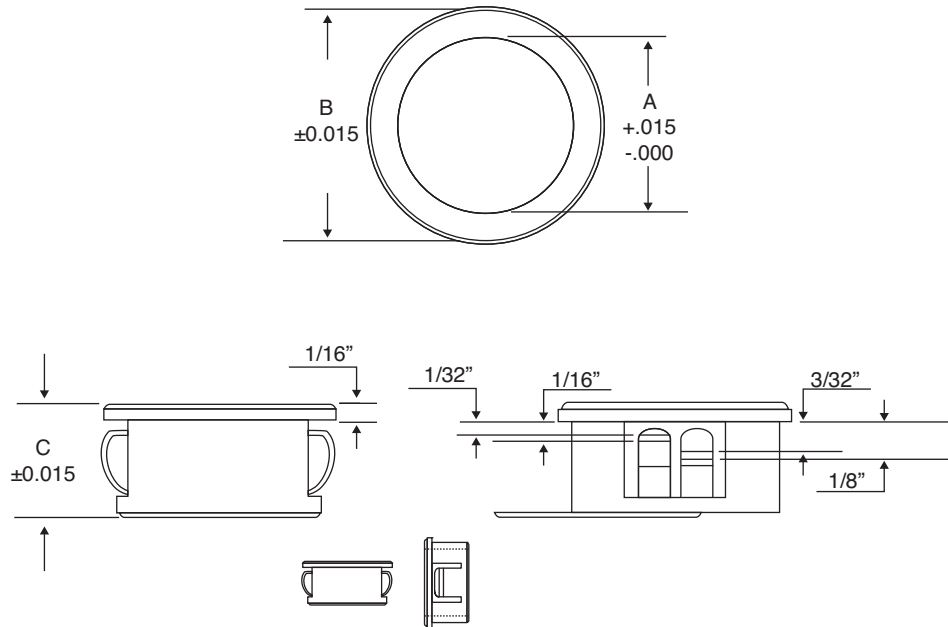


Dimensions: in.



These bushings are available in a large selection of sizes from 1/4" to 2" in various inside diameter openings. Standard bushing are designed with multiple locks to positively snap in panels ranging from 1/32" to 1/8" thickness.

Standard bushings meet Underwriters Laboratories and Canadian Standards Association temperature and pull-out tests.

**Molded in heat stabilized nylon UL94V2 black.**

Part Number	Description	Package Qty	Dimensions: in.			Hole Size	Panel Thickness
			Dia. A	Dia. B	Dia. C		
561-MP2502	MP2502	1000	0.125	0.312	0.312	0.250	0.062
			(+0.015/-0.000)	(±0.015)	(±0.015)		
RoHS Compliant							

**Must be ordered in packaged quantity.**

**Available from Mouser Electronics**  
**1-800-346-6873 / www.mouser.com**

EPD-200755

Specifications are subject to change without notice. No liability or warranty implied by this information. Environmental compliance based on producer documentation.