



ALL NEW PRODUCTS!

Heyco® -Tite Solar Masthead® II Liquid Tight Cordgrips

Multi-Hole, NPT Hubs with Integral Sealing Ring - IP 68 Rated

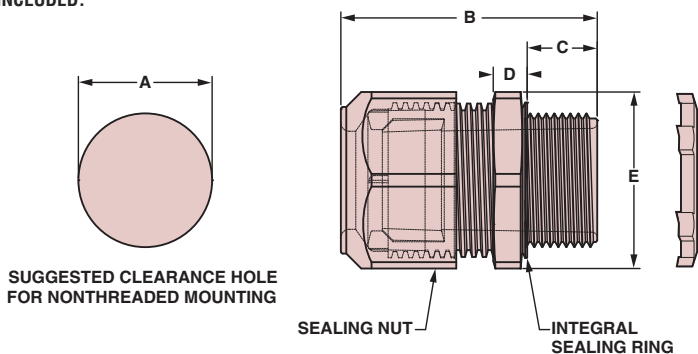
The Ultimate in Liquid Tight Strain Relief Protection



GLAND CONFIGURATION	CONDUCTORS	PART NO.	DESCRIPTION	UL or cULUS	PART DIMENSIONS										
					A		B		C		D		E		
Size mm.	Type *	No.	Black		Clearance Hole Dia.		Max. O.A. Length		Thread Length		Wrenching		Flat Size		
					in.	mm.	in.	mm.	in.	mm.	in.	mm.	in.	mm.	
5-5	USE-2	5	M3234GBR-SM	SMCG 3/4	cULUS	1.04	26,4	2.00	50,8	62	15,7	25	6,4	1.30	33,0
		9	M8437GBK-SM	SMCG 1	cULUS	1.33	33,8	2.41	61,2	76	19,3	30	7,6	1.73	43,9
		13	M4524GBM-SM	SMCG 1-1/4	cULUS	1.68	42,7	2.69	68,3	78	19,8	30	7,6	2.05	52,1
		21	M3317GBQ-SM	SMCG 1-1/2	cULUS	1.92	48,8	2.81	71,3	76	19,3	36	9,1	2.48	63,0
		31	M3321GBY-SM	SMCG 2	cULUS	2.40	60,8	2.93	74,3	79	20,1	42	10,7	2.75	69,9
5.6	USE-2	3	M3200GAH-SM	SMCG LL 1/2	UL	.87	22,2	1.68	42,7	44	11,2	25	6,4	1.06	27,0
7.7	PV 1000	3	M3234GBS-SM	SMCG 3/4	UL	1.04	26,4	2.00	50,8	62	15,7	25	6,4	1.30	33,0
		5	M8437GBT-SM	SMCG 1	UL	1.33	33,8	2.41	61,2	76	19,3	30	7,6	1.73	43,9
		9	M4524GBW-SM	SMCG 1-1/4	UL	1.68	42,7	2.69	68,3	78	19,8	30	7,6	2.05	52,1
		11	M3317GBZ-SM	SMCG 1-1/2	UL	1.92	48,8	2.81	71,3	76	19,3	36	9,1	2.48	63,0
		19	M3321GBX-SM	SMCG 2	UL	2.40	60,8	2.93	74,3	79	20,1	42	10,7	2.75	69,9

*AWG 10 and 12 for both USE-2 and PV 1000
Metal Locknuts INCLUDED.

- **Skinned-over glands** in the Solar Masthead II Cordgrips offer flexibility to use from 1 to 31 of the available holes while still providing a liquid tight seal around the wire.
- For easy installation of conductors, external dimples indicate the presence of an underlying through channel.
- Integral Sealing Ring ensures a superior seal at the clearance or threaded mounting hole location, every time.
- IP 68 rated.
- Provide a watertight seal for PV module output leads to inverters.
- Accommodate USE-2 12 AWG and 10 AWG wire; consult Heyco for other wire types and sizes.
- Designed for solar rooftop installations.
- Secure input PV leads from solar panel array strings to fuse holder hookup within solar combiner boxes.
- Eliminate the need for combiner box in residential rooftop solar applications when appropriate threaded adaptor is used.
- Generous wrenching flats for ease of assembly.
- No disassembly required for installation.
- UV resistant nylon construction with TPE sealing gland resists salt water, weak acids, gasoline, alcohol, oil, grease, and common solvents.
- Contact Heyco for other hub sizes and gland configurations.
- **Patent Pending.**
- Solar Masthead II Cordgrips provided with assembled metal locknut.
- For Heyco-Flex I Conduit, see page 2-1.



PN 8660 & 8661

Use of the Heyco Solar Masthead, Heyco-Flex I (page 2-1) or rigid PVC conduit, and the Heyco Coupling allows the installer to run PV wire output hookup off the rooftop and connect to field level inverter.

Material	6/6 Nylon with TPE Sealing Gland
Certifications	<ul style="list-style-type: none"> UL Listed under UL File E51579 cULUS Recognized under the Component Program of Underwriters Laboratories File E51579 to both Canadian and U.S. requirements
Flammability Rating	94-V2
Temperature Rating	-22°F (-30°C) to 212°F (100°C)
IP Rating	IP 68

Quick Specs