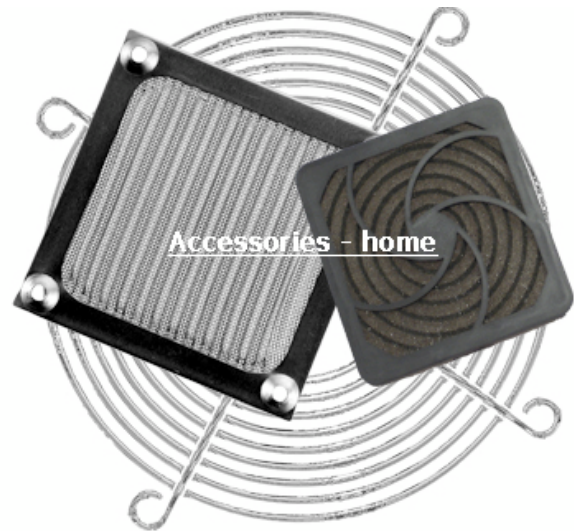




Select a Fan Size (below) to view accessory items

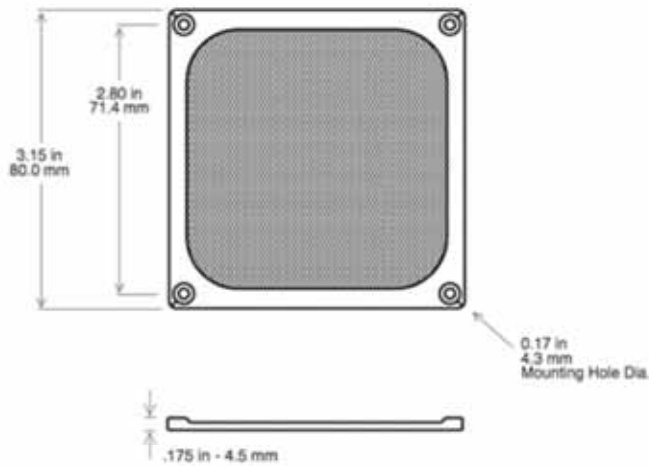
Matching Orion Fans Series

| | |
|---------------|--------------------------------------|
| 25mm (1.0") | OD2510 |
| 40mm (1.57") | OD4010, OD4018, OD4020, OD4028 |
| 52mm (2.05") | OD5010, OD5210 |
| 60mm (2.36") | OD6010, OD6015, OD6020, OD6025, OA60 |
| 80mm (3.15") | OD8015, OD8020, OD8025, OA825, OA80 |
| 92mm (3.62") | OD9220, OD9225, OA92, OA938 |
| 120mm (4.7") | OD1225, OD1238, OA125, OA109, OA4715 |
| 127mm (5.0") | OD127, OA119 |
| 172mm (6.7") | OD172, OA162, OA172, OA5920 |
| 180mm (7.0") | OD180, OA180 |
| 254mm (10.0") | OD254, OA254 |



VIEW - [WIRE GUARD](#) | [PLASTIC GUARD](#) | [PUSH-ON GUARD](#) | [WIRE MESH GUARD](#) | [FILTER KIT](#)

Part No.: **WMG80M** and **WMG80B**
80mm - Wire Mesh Guard



Aluminum/Stainless filters offer high levels of air passage while efficiently filtering contaminants and shielding EMI/RFI.

Tightly woven stainless corrugated mesh screen (30x30, 3/16" Pitch, 1/8" Deep)

Filters may be mounted directly onto the fan or to any other housing.

Finishes:
Mill - Natural Aluminum (suffix "M")

Black Anodized (suffix "B")

Representation

Distributors

RoHS Compliant

ISO9001/2000

ORION FANS IS A REGISTERED TRADEMARK OF KNIGHT ELECTRONICS

800-323-2439 or 214-340-0265

COPYRIGHT 2007