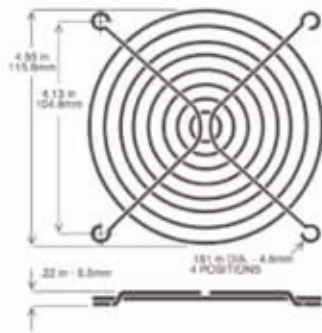


Part Nos.: G109-15A, G109-15AB, G109-3A, G109-15B and G109-15B-1
 120mm - Steel Wire Guards

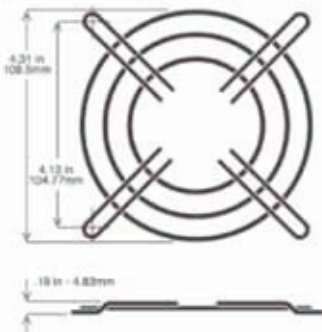
120mm (4.7")



Matching Fan Series:
 OD1225,
 OD1238,
 OA125,
 OA109,
 OA4715

Part No.:	G109-15A and G109-15AB [Black finish]
Material:	C1008 Steel
Wire Dia (Ring):	1.8mm
Wire Dia (Rib):	1.8mm
Ring Spacing:	Meets 6.35mm plug gauge test
Separation Force:	220 lbs. on welds
Fits:	120mm (4.7") fans
Plating:	Bright Nickel Chrome or Black anodized
Options:	Additional plating materials are available by special order.

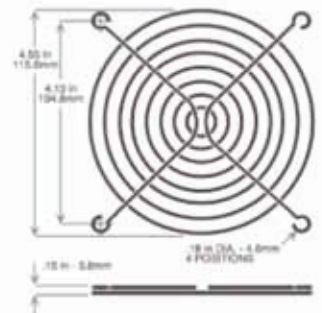
120mm (4.7")



Matching Fan Series:
 OD1225,
 OD1238,
 OA125,
 OA109,
 OA4715

Part No.:	G109-3A
Material:	C1008 Steel
Wire Dia (Ring):	1.6mm
Wire Dia (Rib):	1.6mm
Ring Spacing:	Meets 6.35mm plug gauge test
Separation Force:	220 lbs. on welds
Fits:	120mm (4.7") fans
Plating:	Bright Nickel Chrome
Options:	Additional plating materials are available by special order.

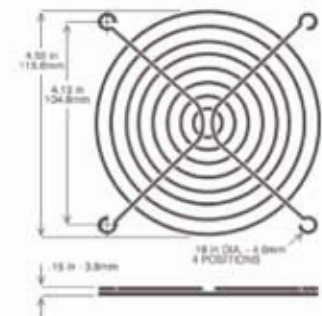
120mm (4.7")



Matching Fan Series:
 OD1225,
 OD1238,
 OA125,
 OA109,
 OA4715

Part No.:	G109-15B
Material:	C1008 Steel
Wire Dia (Ring):	1.8mm
Wire Dia (Rib):	1.8mm
Ring Spacing:	Meets 6.35mm plug gauge test
Separation Force:	220 lbs. on welds
Fits:	120mm (4.7") fans
Plating:	Black
Options:	Additional plating materials are available by special order.

120mm (4.7")



Matching Fan Series:
 OD1225,
 OD1238,
 OA125,
 OA109,
 OA4715

Part No.:	G109-15B-1
Material:	C1008 Steel
Wire Dia (Ring):	1.8mm
Wire Dia (Rib):	2.3mm
Ring Spacing:	Meets 6.35mm plug gauge test
Separation Force:	220 lbs. on welds
Fits:	120mm (4.7") fans
Plating:	Black
Options:	Additional plating materials are available by special order.