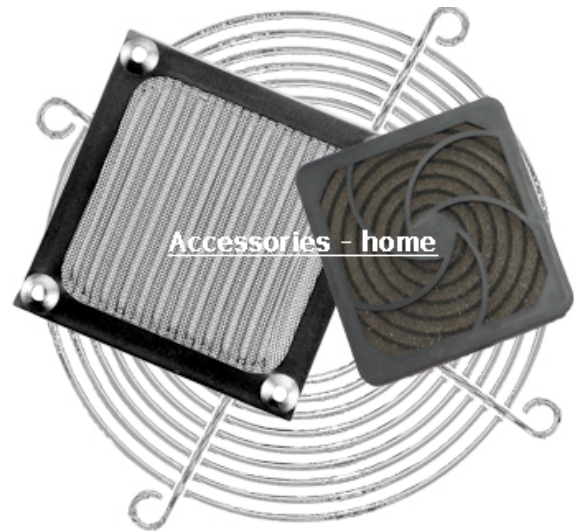




Select a Fan Size (below) to view accessory items

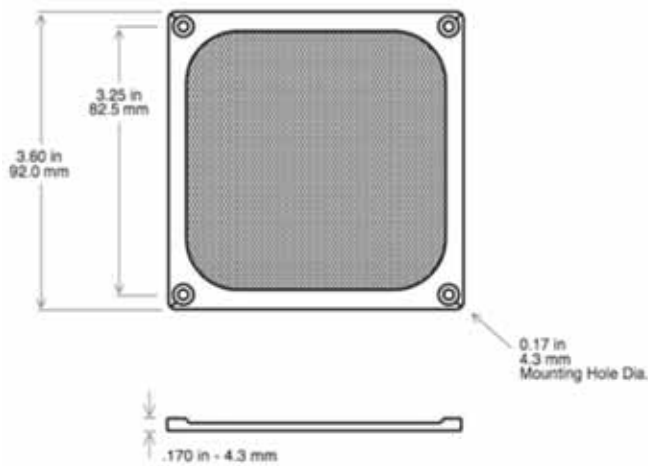
Matching Orion Fans Series

25mm (1.0")	OD2510
40mm (1.57")	OD4010, OD4018, OD4020, OD4028
52mm (2.05")	OD5010, OD5210
60mm (2.36")	OD6010, OD6015, OD6020, OD6025, OA60
80mm (3.15")	OD8015, OD8020, OD8025, OA825, OA80
92mm (3.62")	OD9220, OD9225, OA92, OA938
120mm (4.7")	OD1225, OD1238, OA125, OA109, OA4715
127mm (5.0")	OD127, OA119
172mm (6.7")	OD172, OA162, OA172, OA5920
180mm (7.0")	OD180, OA180
254mm (10.0")	OD254, OA254



VIEW - [WIRE GUARD](#) | [PLASTIC GUARD](#) | [PUSH-ON GUARD](#) | [WIRE MESH GUARD](#) | [FILTER KIT](#)

Part Nos.: [WMG92M](#) and [WMG92B](#)  
92mm - Wire Mesh Guard



Aluminum/Stainless filters offer high levels of air passage while efficiently filtering contaminants and shielding EMI/RFI.

Tightly woven stainless corrugated mesh screen (30x30, 3/16" Pitch, 1/8" Deep)

Filters may be mounted directly onto the fan or to any other housing.

**Finishes:**  
**Mill - Natural Aluminum (suffix "M")**

**Black Anodized (suffix "B")**

Representation

Distributors

RoHS Compliant

ISO9001/2000

ORION FANS IS A REGISTERED TRADEMARK OF KNIGHT ELECTRONICS

800-323-2439 or 214-340-0265

COPYRIGHT 2007