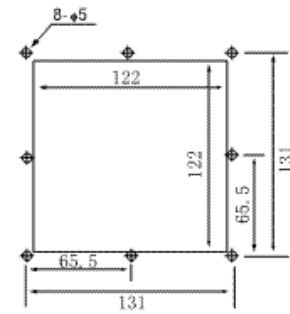
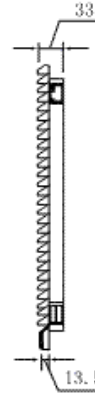
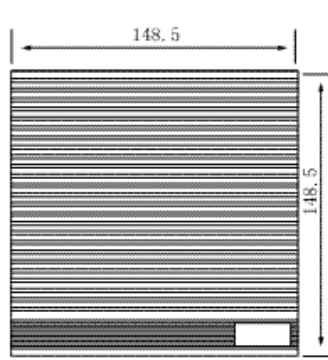


Louvered Fan Guards

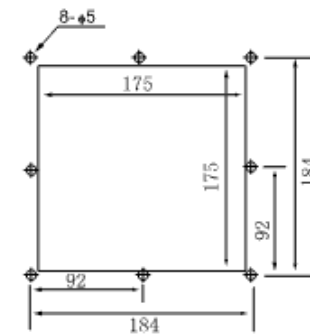
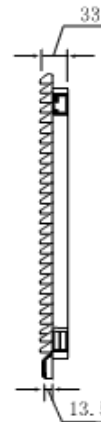
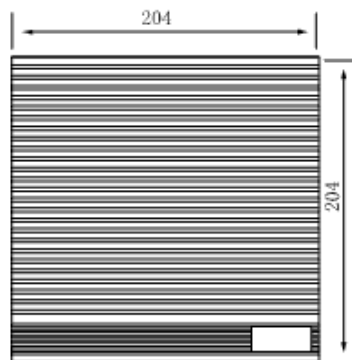
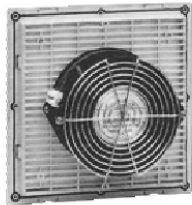


Filter Kits for 120mm (4.7"),
172mm (6.7") & 254mm (10") Fans

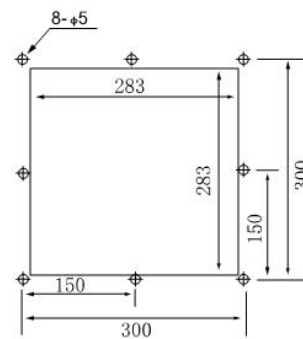
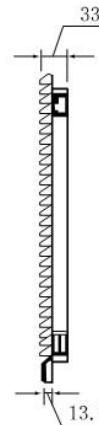
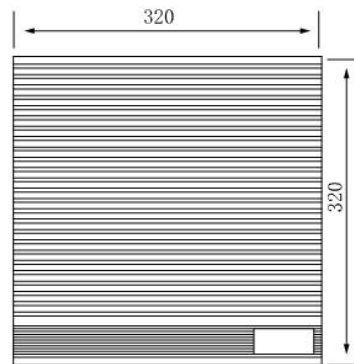
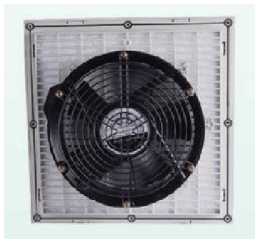
LFG120B
Filter kit for
120mm fan



LFG172B
Filter kit for
172mm fan



LFG254B
Filter kit for
254mm fan



Part Number	LFG120B	LFG172B	LFG254B
Frame Description	ABS Resin - flame resistant UL94V-0, Vents with screens at 45-degree angle. High foam sealing edge available by special order - protection grade IP44-IP54.		
Filter Mesh Material	Nylon Fiber - Synthetic Resin, filters to 8 microns.		
Color	Black is standard. Gray is available on request. To specify gray remove "B" from part number. Minimums may apply.		

