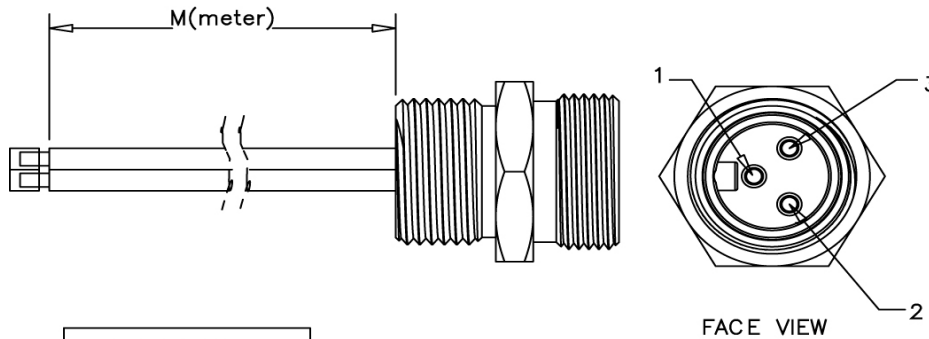


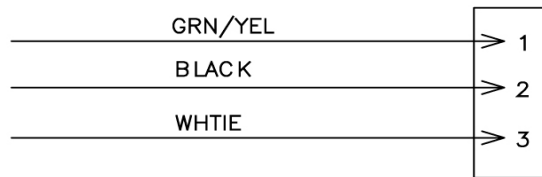
CONFIGURATION	PART NUMBER	LENGTH
3 PIN MINI, MALE RECEPT	MN31PW02M	NA

DIMENSIONS



TOLERANCE
0-2.99 M = ±100.0mm
3-8.99 M = ±150.0mm
9-14.99 M = ±300.0mm
15-29.99 M = ±450.0mm
30-45.99 M = ±600.0mm

WIRING DIAGRAM



TECHNICAL DATA

TEMPERATURE RANGE:	-20C to +105C
PROTECTION:	IP 68, NEMA 6P
VOLTAGE RATING:	600VAC/600VDC
AMPERAGE:	10A
BODY:	OIL RESISTANT PVC
CONTACTS:	COPPER ALLOY
CONTACT PLATING:	5 INCHES (MIN) GOLD, OVER 25 INCHES (MIN) NICKEL
CONNECTOR FACE:	PVC
COUPLER:	MACHINED ALUMINUM, ANODIZED
WIRE TYPE:	16 AWG, 600 V, MTW OR UL 1015
RECEPTACLE HOUSING:	MACHINED ALUMINUM, ANODIZED