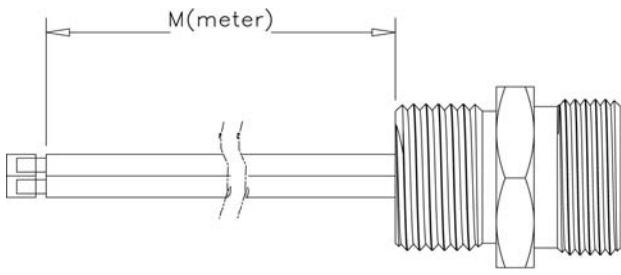
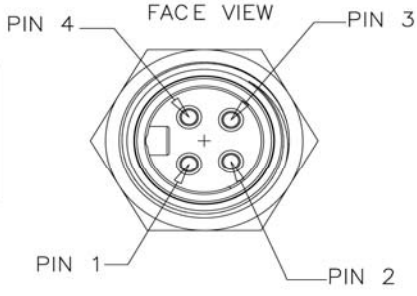


CONFIGURATION	PART NUMBER	LENGTH
4 PIN MINI, RECEPT	MN41PW02M	NA

DIMENSIONS



M(meter)



FACE VIEW

TOLERANCE
0- 2.99 M = ±100.0 mm
3- 8.99 M = ±150.0 mm
9-14.99 M = ±300.0 mm
15-29.99 M = ±450.0 mm
30-45.99 M = ±600.0 mm

WIRING DIAGRAM

BLACK	→ 1
WHITE	→ 2
RED	→ 3
GRN/YEL	→ 4

TECHNICAL DATA

TEMPERATURE RANGE:	-20C to +105C
PROTECTION:	IP 68, NEMA 6P
VOLTAGE RATING:	600VAC/600VDC
AMPERAGE:	10A
BODY:	OIL RESISTANT PVC
CONTACTS:	COPPER ALLOY
CONTACT PLATING:	5 INCHES (MIN) GOLD, OVER 25 INCHES (MIN) NICKEL
CONNECTOR FACE:	PVC
COUPLER:	MACHINED ALUMINUM, ANODIZED
WIRE TYPE:	16 AWG, 600 V, MTW OR UL 1015
RECEPTACLE HOUSING:	MACHINED ALUMINUM, ANODIZED

NOTES

--	--