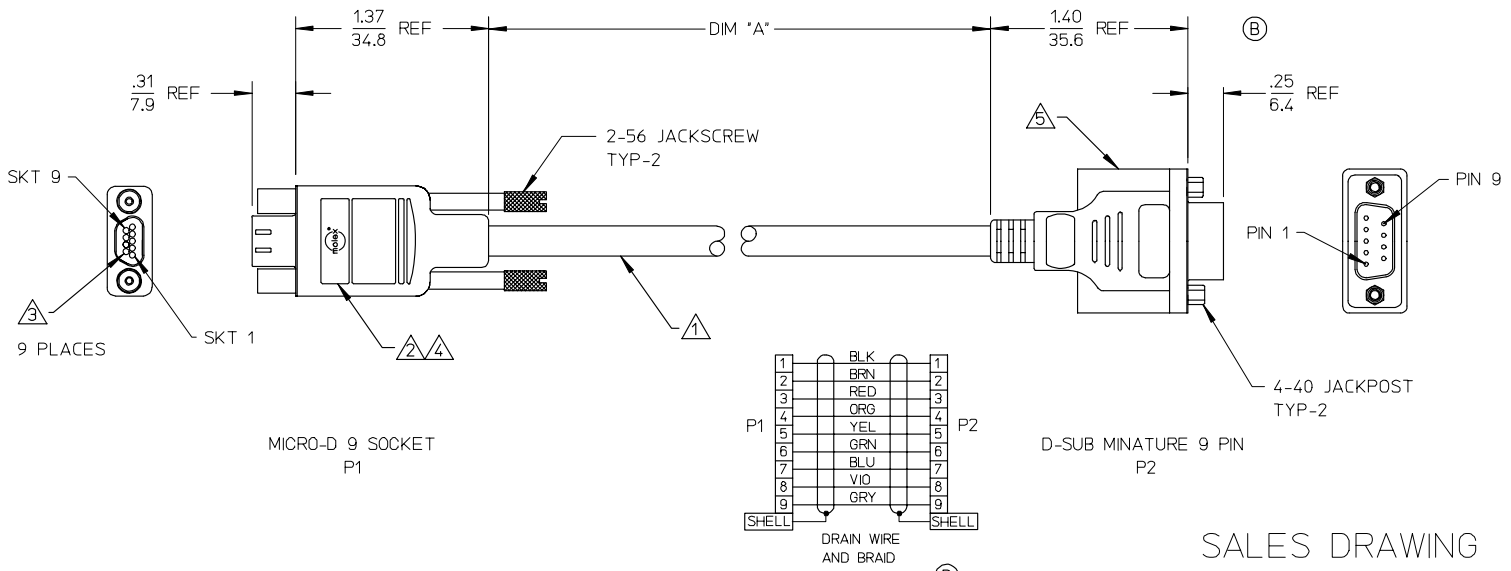


MATERIAL NO.	ENGINEERING NO.	DIM "A" INCH	DIM "A" (mm)
834219207	83421-9207	18.00 +.50 / -0.0	457.2 +12.7 / -0.0
834219208	83421-9208	36.00 +.50 / -0.0	914.4 +12.7 / -0.0
834219209	83421-9209	72.00 +.50 / -0.0	1828.8 +12.7 / -0.0



SALES DRAWING

- NOTES: UNLESS OTHERWISE SPECIFIED
- CABLE: UL 2464 28 AWG, 9 CONDUCTOR, TINNED COPPER, 7 STRAND. WIRE INSULATION: PVC SHIELD; AL-FOIL / MYLAR, INCLUDING DRAIN WIRE & BRAID. OUTER CABLE JACKET: BLACK PVC.
  - MOLEX COMMERCIAL MICRO-D # 83421-9014.
  - MOLEX TERMINAL SOCKET # 83000-9503, (2,500 PC REEL), TYP-16 PLACES. REFER TO DWG. E-83421-001 FOR ASSY INSTRUCTIONS.
  - D-SUB, 9 PIN MALE CONNECTOR (SOLDER TYPE) WITH OVERMOLDED INSULATOR.
  - ALL COMPONENTS ARE RoHS COMPLIANT.

REDRAWN EC NO: ETC2007-0118 DRAWN: IRONMANNO 2006/09/29 CHKD: J. MACNEIL 2006/10/13 APPR: J. MACNEIL 2006/10/13	QUALITY SYMBOLS ▽=0 ▽=0	GENERAL TOLERANCES (UNLESS SPECIFIED)		DIMENSION STYLE IN/MM	SCALE ---	DESIGN UNITS INCH	THIRD ANGLE PROJECTION
		4 PLACES ± --- ± --- 3 PLACES ± --- ± --- 2 PLACES ± --- ± --- 1 PLACE ± --- ± --- ANGULAR ± ---°	DRAWN BY TODD B DATE 9-12-06 CHECKED BY J. MACNEIL DATE 9-12-06 APPROVED BY J. MACNEIL DATE 9-12-06	TITLE 9 SKT COMM MICRO-D TO 9 PIN D-SUB W/JACKPOST CABLE ASSEMBLY		MOLEX INCORPORATED	DOCUMENT NO. SD-83421-015
DRAFT WHERE APPLICABLE MUST REMAIN WITHIN DIMENSIONS		MATERIAL NO. SEE CHART		THIS DRAWING CONTAINS INFORMATION THAT IS PROPRIETARY TO MOLEX INCORPORATED AND SHOULD NOT BE USED WITHOUT WRITTEN PERMISSION			